



More information on the website
radwag.com/en/info,w1,R54

MWSH 6000 Weighing Module



The drawings, photos and graphics used are for illustrative purposes only.

Datasheet

| Metrological parameters | |
|-------------------------|--|
| Maximum capacity [Max] | 6000 g |
| Minimum load | 500 mg |
| Preload range | 600 g |
| Readability [d] | 0.01 g |
| Tare range | -6000 g |
| Repeatability | 15 mg |
| Linearity | ±30 mg |
| Stabilization time | 1.5 s |
| Adjustment | internal (automatic) |
| Construction | |
| Protection class | IP 65 |
| Housing | aluminum, Stainless steel |
| Communication interface | |
| Communication interface | RS232, RS485, Ethernet, 2 IN / 2 OUT, PROFIBUS (option), PROFINET (option) |

| Electrical parameters | |
|--------------------------|-------------------------|
| Power supply | 100 – 240 V AC 50/60 Hz |
| Environmental conditions | |
| Operating temperature | +10 – +40 °C |
| Relative humidity | 15% – 80% |
| Physical parameters | |
| Weighing pan dimensions | 100×100 mm |
| Device dimensions | 336×175×96 mm |
| Packaging dimensions | 580×335×280 mm |

Accessories

RS 232 cables (scale - Ethernet)
RS 232, RS 485 cables
IN/OUT Cables

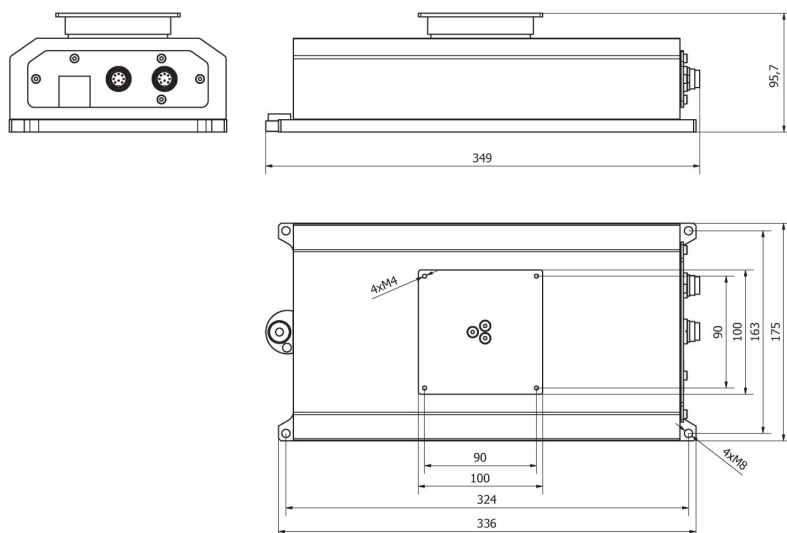
Powerbanks
RS 232 – USB Converter

Software

- MWMH Manager [WX-010-0103]
- R-Lab [WX-010-0080]
- RADWAG Development Studio [WX-010-0104]

- RAD Key [WX-010-0005]
- Scale Editor 2.1 [WX-010-0173]

Device dimensions



[MWSH](#)