



More information on the website  
[radwag.com/us/info,w1,QWG](http://radwag.com/us/info,w1,QWG)

# IM01.EX-8/3/2 Communication Module

WX-016-0186



The drawings, photos and graphics used are for illustrative purposes only.

## Datasheet

| Construction            |   |
|-------------------------|---|
| Protection class        | IP 66 / 68 (1,5m)   |
| Housing                 | aluminum  |
| ATEX Certification      | II (2)G [Ex ib] IIC Gb<br>II (2)D [Ex ib] IIIC Db                           |
| Communication interface | 2×RS232, USB, 12IN / 12OUT, Ethernet, RS485, analog output 4-20 mA / 0-10 V |
| Power supply            | 100 – 240 V AC 50/60 Hz   |
| Power consumption max.  | 10 W  |
| Operating temperature   | -10 – +40 °C  |
| Storage temperature     | -20 – +60 °C  |
| Relative humidity       | 10% – 85% RH no condensation  |
| Physical parameters     |   |
| Device dimensions       | 222×146×81 mm   |
| Net weight              | 1,9 kg  |

## Physical parameters

Gross weight

2,5 kg

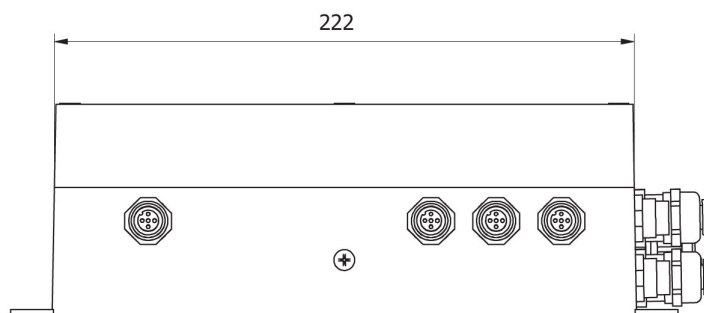
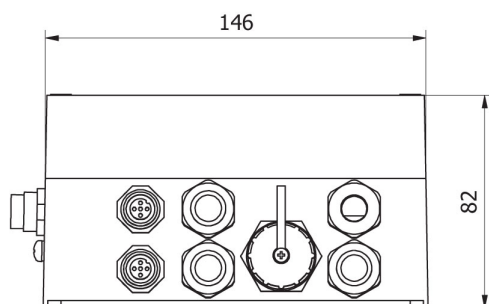


## Compatible with (Additional Fee)

HX5.EX-1.4P2 H Stainless steel Beam Scales  
HX5.EX-1 HR Stainless Steel 1-Load-Cell Platform Scales  
RS 232 cables (scale - printer)  
HX5.EX-1.4P2 C Beam Scales  
HX5.EX-1.4N Stainless Steel Ramp Scales  
HX5.EX-1.4 C 4-Load-Cell Platform Scales  
HX5.EX-1.4P H Stainless steel pallet scales  
HX5.EX-1.4 H/Z Stainless steel platform scales, pit version  
HX5.EX-1 C 1 Load Cell Platform Scales

HX5.EX-1 H Waterproof Platform Scales  
PUE HX5.EX Weighing Terminal  
HX5.EX-1.4 H Stainless Steel 4-Load-Cell Platform Scales  
RS 232, RS 485 cables  
IN/OUT Cables  
HX5.EX-1.4P C Pallet scales  
USB adapter  
USB cable (scale - printer)  
RS 232 – USB Converter

## Device dimensions



IM01.EX