



More information on the website
radwag.com/us/info,w1,QVV

PUE 5.19C Weighing Terminal



The drawings, photos and graphics used are for illustrative purposes only.

Functions



Dosing



Labelling



Plus/Minus Control



Parts counting



Formulation



Statistics



Checkweighing

Datasheet

| | |
|----------------------------------------------|------------------|
| OIML Class | III |
| Maximum quantity of divisions from converter | 8388608 |
| Maximum quantity of verification units | 6000 e |
| Minimum voltage per verification unit | 0,4 μ V |
| Maximum voltage per verification unit | 3,25 μ V |
| Minimum load cell impedance | 80 Ω |
| Maximum load cell impedance | 1200 Ω |
| Load cell excitation voltage | 5V |
| Maximum increase of signal | 19,5 mV |
| Connection of load cells | 4 or 6 przewodów |

| Physical parameters | |
|-------------------------|---------------------------------------------------------------------------------------------------------------------------------------------------------------------------------------------------------|
| Display | 19" graphic colour touchscreen |
| Device dimensions | 524×420×200 mm |
| Packaging dimensions | 590×470×240 mm |
| Net weight | 14 kg |
| Gross weight | 16 kg |
| Construction | |
| Protection class | IP 66 / 67 / 69 |
| Touch panel | capacitive |
| Housing | Stainless steel |
| Communication interface | 4×USB 2.0 (2×USB-A, 2×M12 4P), Ethernet - 2×10/100/1000 Mbit (2×RJ45 hermetic), 2×RS232, RS485 (2×M12 8P) |
| Optional interfaces | external buttons PRINT, TARE, START - terminal with 4IN/4OUT (M12 8P connector) is required, additional weighing platform module - max. 3 pcs, metrological parameters as in the main weighing platform |
| Power supply | 100 – 240 V AC 50/60 Hz |
| Power consumption max. | 75 W |
| Operating temperature | 0 – +40 °C |
| Storage temperature | -20 – +60 °C |
| Relative humidity | 10% – 85% RH no condensation |
| Operating system | Microsoft Windows 11 |
| Processor | Intel® Celeron® J6412 |
| Chipset | Intel® UHD Graphics for 10th Gen Intel® Processors |
| Memory | 16 GB RAM |
| Data memory | SSD 128 GB |



Compatible with

Waterproof stainless steel platforms
Mild steel powder coated weighing platforms
Waterproof stainless steel platforms
RS 232 cables (scale - printer)
RS 232 cables (scale - ZEBRA printer)
RS 232 cables (scale - Ethernet)
Stainless steel platforms, pit version
RS 232, RS 485 cables
Mild steel powder coated weighing platforms
Ramp stainless steel platforms
Displays
Platforms in plastic casing

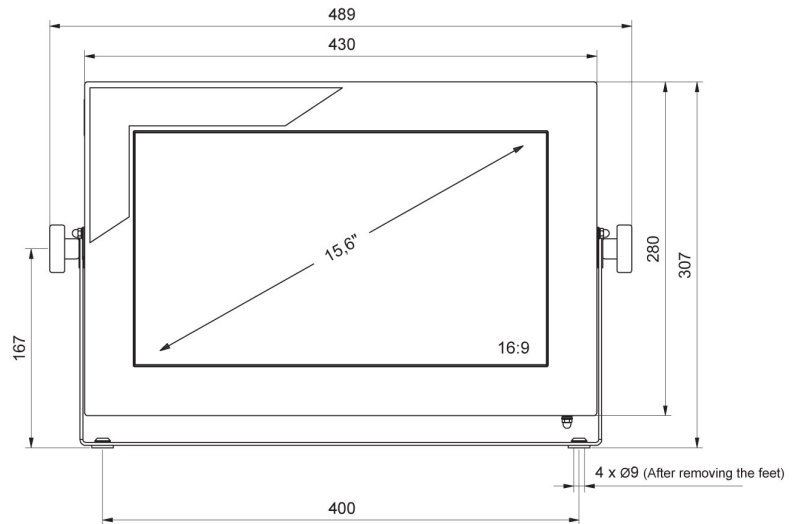
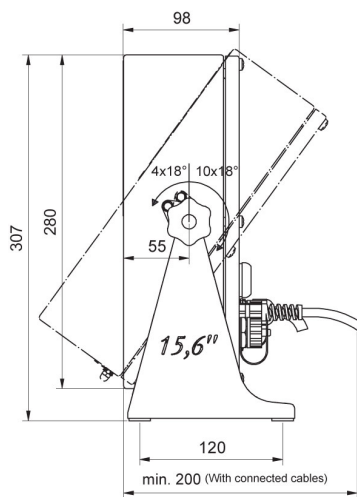
IN/OUT Cables
Barcode scanners
Stainless steel ramp platforms with LD lifting system
Label Printers
Additional Weighing platforms Module
!Keypad, external switches
USB adapter
F1 Mass Standard - knob weights without adjustment chamber, set
USB cable (scale - printer)
RS 232 – USB Converter
Receipt Printer

Software

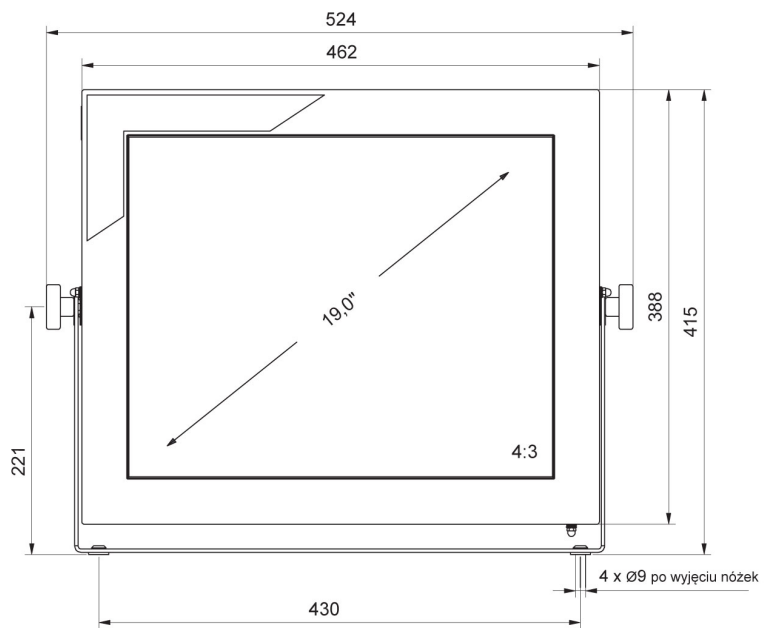
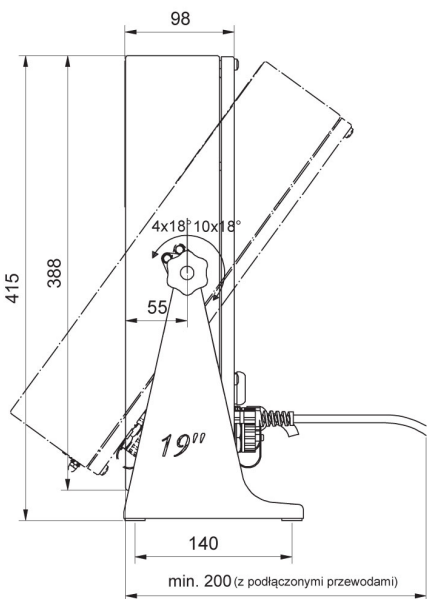
• RAD Key [WX-010-0005]

• Label Editor R02 [WX-010-0094]

Device dimensions



PUE 5.15



PUE 5.19