



More information on the website
radwag.com/en/info,w1,QTK

HX7.4N.150.H2 Multifunctional Stainless Steel Ramp Scale



The drawings, photos and graphics used are for illustrative purposes only.

Functions



Dosing



Percent Weighing



Parts counting



Formulation



Replaceable unit



ALIBI Memory

Datasheet

Metrological parameters

| | |
|--|---------|
| Maximum capacity [Max] | 150 kg |
| Minimum load | 1 kg |
| Readability [d] | 50 g |
| Verification unit [e] | 50 g |
| Tare range | -150 kg |
| Max readability for non-verified scale | 20 g |
| OIML Class | III |

Physical parameters

| | |
|---------|-------------------|
| Display | 7" graphic colour |
|---------|-------------------|

| Physical parameters | |
|--------------------------|---|
| Cable length | 3 m |
| Weighing pan dimensions | 1100×1200 mm |
| Packaging dimensions | 1500×1300×600 mm |
| Net weight | 149.7 kg |
| Gross weight | 186.3 kg |
| Construction | |
| Protection class | IP 68 construction, IP 66 / 68 terminal |
| Keypad | membrane |
| Construction | Stainless steel AISI304 |
| Communication interface | |
| Communication interface | RS232, USB-A, 4IN, 4OUT, Ethernet, Modbus RTU |
| Optional interfaces | USB (M12 4P), Ethernet, module RS485, module RS232, module Profibus (Dp SLAVE), PROFINET (RRJ45), EtherNet/IP (RRJ45), 12 IN, 12 OUT, 4-20mA, 0-10V |
| Electrical parameters | |
| Power supply | 100 – 240 V AC 50/60 Hz |
| Power consumption max. | 25 W |
| Optional power supply | 12 – 24 V DC |
| Environmental conditions | |
| Operating temperature | -10 – +40 °C |
| Storage temperature | -10 – +50 °C |
| Relative humidity | 10% – 80% RH no condensation |
| Indicator | PUE HX7 |
| Number of buttons | 22 |
| Features of use | |
| Max number of platforms | 2 |



Extra payment for verification



Accessories

RS 232 cables (scale - printer)
 RS 232 cables (scale - ZEBRA printer)
 Displays
 Power Adapters
 RS 232, RS 485 cables
 USB cable (scale - printer)
 IN/OUT Cables
 Barcode scanners

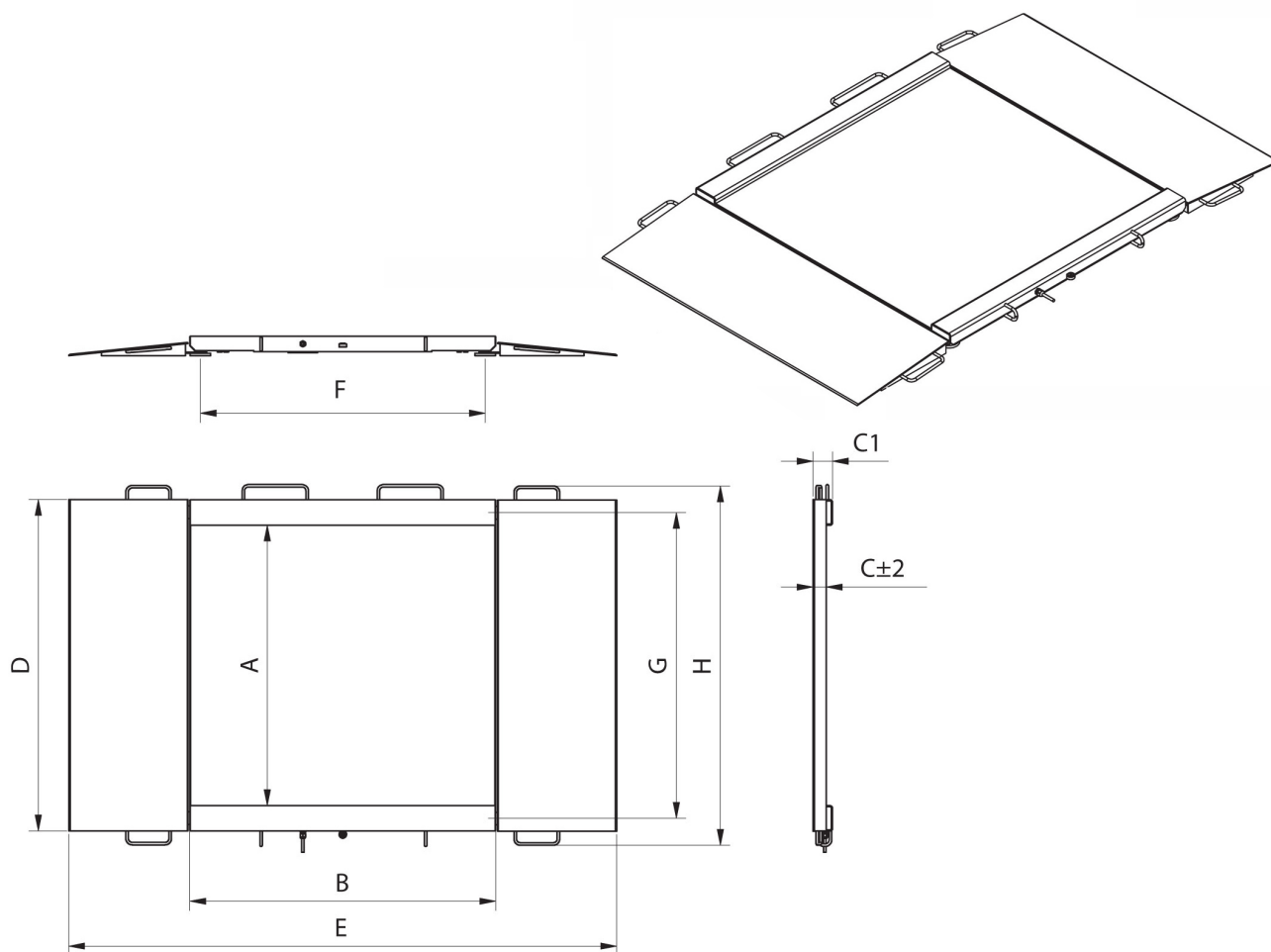
Label Printers
 Stands, wall mounting kits and mounting brackets
 Keypad, external switches
 USB adapter
 Receipt Printer
 Additional Weighing platforms Module
 RS 232 – USB Converter
 Additional modules

Software

- E2R Weighing [WX-010-0099]
- RAD Key [WX-010-0005]
- Alibi Reader [WX-010-0114]
- Scale Editor 2.1 [WX-010-0173]

- E2R Weighing Records [WX-010-0038]
- Label Editor R02 [WX-010-0094]
- R-Lab [WX-010-0080]
- RADWAG Development Studio [WX-010-0104]

Device dimensions



| Model | Max | A | B | C | C1 | D | E | F | G | H |
|----------------|---------|------|------|------|----|------|------|------|------|------|
| HX7.4N.150.H1 | 150 kg | 840 | 860 | 45,5 | 76 | 1040 | 1710 | 778 | 940 | 1170 |
| HX7.4N.300.H1 | 300 kg | 840 | 860 | 45,5 | 76 | 1040 | 1710 | 778 | 940 | 1170 |
| HX7.4N.600.H1 | 600 kg | 840 | 860 | 45,5 | 76 | 1040 | 1710 | 778 | 940 | 1170 |
| HX7.4N.150.H2 | 1500 kg | 1100 | 1200 | 45,5 | 76 | 1300 | 2050 | 1118 | 1200 | 1430 |
| HX7.4N.300.H2 | 300 kg | 1100 | 1200 | 45,5 | 76 | 1300 | 2050 | 1118 | 1200 | 1430 |
| HX7.4N.600.H2 | 600 kg | 1100 | 1200 | 45,5 | 76 | 1300 | 2050 | 1118 | 1200 | 1430 |
| HX7.4N.1500.H2 | 1500 kg | 1100 | 1200 | 52,5 | 76 | 1300 | 2150 | 1118 | 1200 | 1430 |
| HX7.4N.300.H3 | 300 kg | 1200 | 1500 | 45,5 | 76 | 1400 | 2350 | 1418 | 1300 | 1530 |
| HX7.4N.600.H3 | 600 kg | 1200 | 1500 | 45,5 | 76 | 1400 | 2350 | 1418 | 1300 | 1530 |
| HX7.4N.1500.H3 | 1500 kg | 1200 | 1500 | 52,5 | 76 | 1400 | 2450 | 1418 | 1300 | 1530 |
| HX7.4N.300.H4 | 300 kg | 1500 | 1500 | 52,5 | 76 | 1700 | 2450 | 1418 | 1600 | 1830 |
| HX7.4N.600.H4 | 600 kg | 1500 | 1500 | 52,5 | 76 | 1700 | 2450 | 1418 | 1600 | 1830 |
| HX7.4N.1500.H4 | 1500 kg | 1500 | 1500 | 52,5 | 76 | 1700 | 2450 | 1418 | 1600 | 1830 |

* dimensions in mm