



More information on the website
radwag.com/ja/info,w1,QOK

IM01.EX-9/3

WX-016-0188



The drawings, photos and graphics used are for illustrative purposes only.

Technical Specifications

Dimensions	
IP Rating	IP 66 / 68 (1,5m)
Weight	0.15 kg
ATEX	II (2)G [Ex ib] IIC Gb II (2)D [Ex ib] IIIC Db
Interfaces	2xRS232, USB, 12IN / 12OUT, Ethernet IP
Power Supply	
Voltage	100 – 240 V AC 50/60 Hz
Power max.	10 W
Temperature	
Operating	-10 – +40 °C
Storage	-20 – +60 °C
Humidity	10% – 85% RH

IM01.EX

IM01.EX

222×146×81 mm

IM01

1,9 kg

IM01

2,5 kg

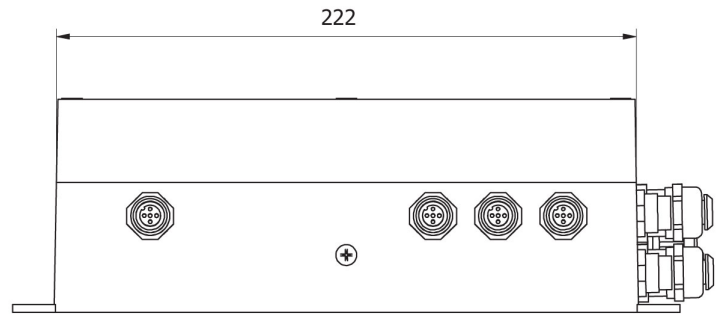
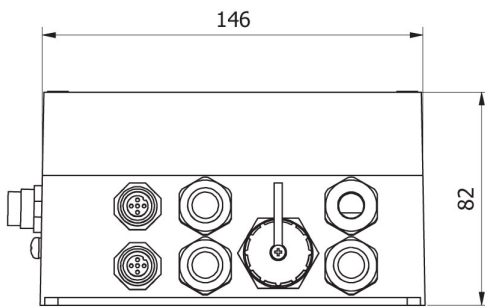


IM01 (Additional Fee)

HX5.EX-1.4P2 H
HX5.EX-1 HR
RS 232
HX5.EX-1.4P2 C
HX5.EX-1.4N
HX5.EX-1.4 C 4
HX5.EX-1.4P H
HX5.EX-1.4 H/Z
HX5.EX-1 C 1

HX5.EX-1 H
PUE HX5.EX
HX5.EX-1.4 H
RS 232/RS 485
IN/OUT
HX5.EX-1.4P C
USB
USB cable
RS 232 – USB

IM01



IM01.EX