



More information on the website
radwag.com/en/info,w1,Q09

5Y.25.PM.KB Mass Comparator



The drawings, photos and graphics used are for illustrative purposes only.

Datasheet

Metrological parameters	
E1 Calibration Range	-
E2 Calibration Range	-
F1 Calibration Range	10 kg ÷ 20 kg
F2 Calibration Range	5 kg ÷ 20 kg
M1 Calibration Range	1 kg ÷ 25 kg
M2 Calibration Range	500 g ÷ 25 kg
Maximum capacity [Max]	25.5 kg
Readability [d]	10 mg
Standard repeatability [5% Max]	5 mg
Standard repeatability [Max]	12 mg
Permissible repeatability	15 mg
Eccentricity (tested load)	1d / 2 mm
Electric compensation range	0 ÷ 25.5 kg
Stabilization time	5 s
Adjustment	internal

Physical parameters	
Display	10" graphic colour touchscreen
Weighing pan dimensions	302×252 mm
Weighing device dimensions	370×280×150 mm
Controlling device dimensions	249×170×72 mm
Packaging dimensions	520×520×280 mm
Net weight	11.5 kg
Gross weight	13.7 kg
Communication interface	
Communication interface	2×USB-A, USB-C, HDMI, Ethernet, Wi-Fi, Hotspot
Environmental conditions	
Operating temperature	+10 ÷ +40 °C
Operating temperature change rate	±2°C/12h
Relative humidity	30% ÷ 70%
Relative humidity change rate	±10%/4h

Repeatability is expressed as a standard deviation determined for 6 ABBA cycles. Standard deviation is experimentally determined under ambient conditions for calibration of F2 class mass standards specified in OIML R111 (Table C.1.) document.

* Wi-Fi® is a registered trademark of Wi-Fi® Alliance.



Accessories

RFID Tags
 Additional modules
 Protective cover for balances
 Barcode scanners
 Balance Storage Case
 Antivibration Tables
 RS 232, RS 485 cables

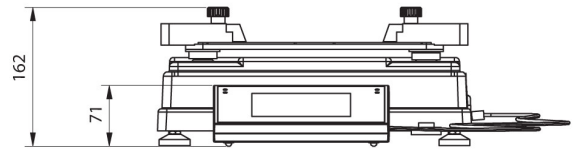
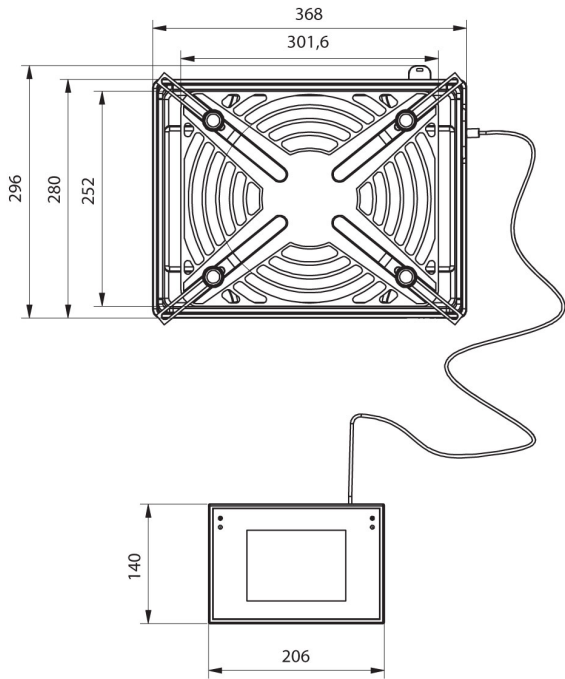
Label Printers
 THBR 2.0 System - Ambient Conditions Monitoring
 Receipt Printer
 Fingerprint Reader
 RS 232, RS 485 cables
 RS 232 cables (scale - printer)

Software

- RAD Key [WX-010-0005]
- RMCS System Network Management of Calibration Process [WX-010-0048]

- RMCS Lite [WX-010-0164]

Device dimensions



PM 4Y.KB