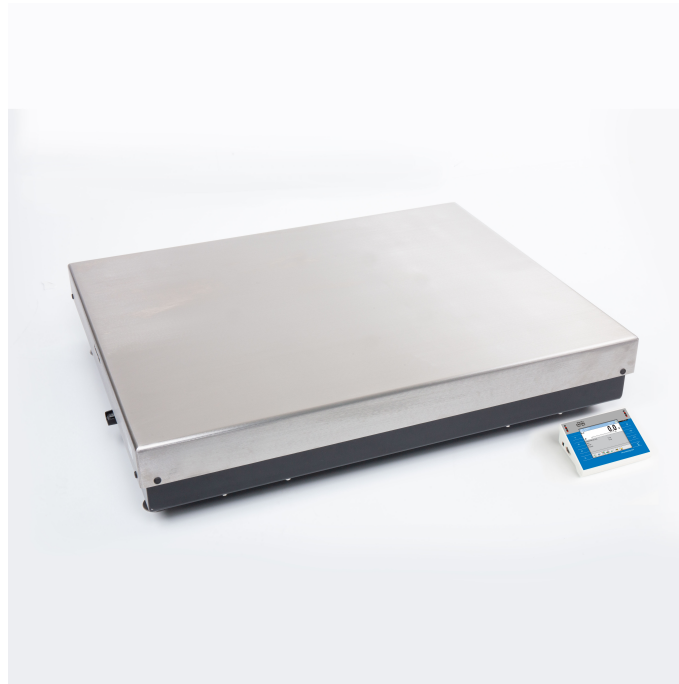




More information on the website  
[radwag.com/us/info,w1,PXP](http://radwag.com/us/info,w1,PXP)

# PUE 7.1.1000.HRP.M3 High Resolution Scale



The drawings, photos and graphics used are for illustrative purposes only.

## Datasheet

|  |                                  |
|--|----------------------------------|
| Maximum capacity [Max]                 | 200 / 500 / 1000 kg              |
| Minimum load                           | 400 / 1000 / 2000 g              |
| Preload range                          | 100 kg                           |
| Readability [d]                        | 20 / 50 / 100 g                  |
| Verification unit [e]                  | 20 / 50 / 100 g                  |
| Tare range                             | -1000 kg                         |
| Repeatability                          | 15 / 15 / 30 g                   |
| Linearity                              | ±20 / ±50 / ±100 g               |
| Stabilization time                     | 3 s                              |
| Adjustment                             | internal (automatic)             |
| OIML Class                             | III                              |
| Maximum quantity of verification units | 10000 / 10000 / 10000 e          |
| <b>Physical parameters</b>             |                                  |
| Display                                | 5,7" Resistive Color Touchscreen |
| Weighing pan dimensions                | 1000×800 mm                      |

| Physical parameters     |   |
|-------------------------|---|
| Device dimensions       | 360×313×170 mm  |
| Packaging dimensions    | 1000×1200×436 mm  |
| Net weight              | 126 kg  |
| Gross weight            | 160 kg  |
| Construction            |   |
| Protection class        | IP 66 / 67 construction, IP 43 terminal                   |
| Construction            | mild steel St3S   |
| Weighing pan material   | Stainless steel AISI304                                   |
| Communication interface | 2×RS232, 2×USB-A, Ethernet, 4 IN / 4 OUT (digital), Wi-Fi |
| Power supply            | 100 – 240 V AC 50/60 Hz                                   |
| Operating temperature   | +10 – +40 °C  |
| Relative humidity       | 15% – 80%   |

\* Wi-Fi® is a registered trademark of Wi-Fi® Alliance.



Extra payment for verification



## Accessories

### Displays

Transponder card readers  
RS 232 cables (scale - Ethernet)  
RS 232 cables (scale - printer)  
Barcode scanners

### Label Printers

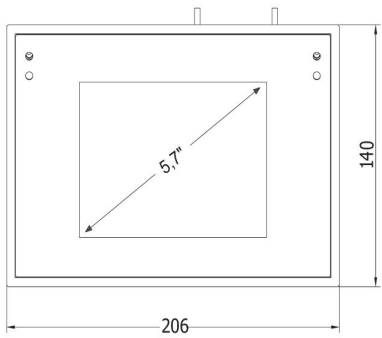
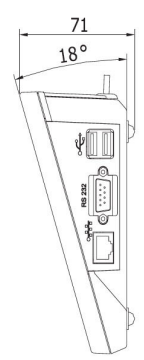
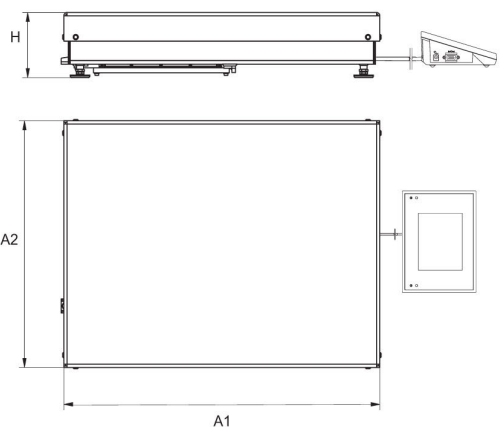
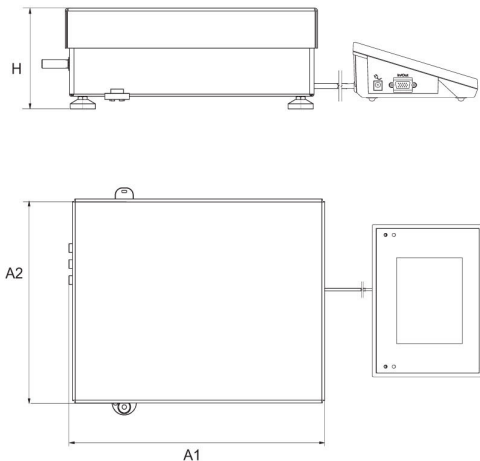
Receipt Printer  
Additional Weighing platforms Module  
RS 232 – USB Converter

## Software

- E2R Weighing [WX-010-0099]
- RAD Key [WX-010-0005]
- RADWAG Remote Desktop [WX-010-0107]
- RADWAG Development Studio [WX-010-0104]

- E2R Weighing Records [WX-010-0038]
- Label Editor R02 [WX-010-0094]
- Scale Editor - EWAG 2.1 [WX-010-0173]

## Device dimensions



| Scale type             | A1   | A2   | H     |
|------------------------|------|------|-------|
| PUE7.1.16 - 32.HRP     | 360  | 280  | 139±3 |
| PUE7.1.62 -120.HRP     | 500  | 500  | 175±3 |
| PUE7.1.150 - 300.HRP   | 800  | 600  | 175±3 |
| PUE7.1.300.1 -1100.HRP | 1000 | 800  | 175±3 |
| PUE7.1.2000.HRP        | 1250 | 1000 | 175±3 |

dimensions in mm