



More information on the website  
[radwag.com/us/info,w1,PP6](http://radwag.com/us/info,w1,PP6)

# PS 1000.R2 Precision Balance



The drawings, photos and graphics used are for illustrative purposes only.

## Functions

-  Autotest
-  Dosing
-  Percent Weighing
-  Totalizing
-  Parts counting
-  Peak hold
-  Newton unit measurement
-  Statistics
-  Checkweighing
-  Under-pan weighing
-  GLP Procedures
-  Animal weighing
-  Density determination

## Datasheet

Maximum capacity [Max]	1000 g
Minimum load	20 mg
Readability [d]	1 mg
Verification unit [e]	10 mg
Tare range	-1000 g
Standard repeatability [5% Max]	0,5 mg

Standard repeatability [Max]	1,5 mg
Standard minimum weight (USP)	1 g
Standard minimum weight (U=1%, k=2)	0,1 g
Linearity	±3 mg
Stabilization time	2 s
Adjustment	internal (automatic)
OIML Class	II
Sensitivity temperature drift	$2 \times 10^{-6} / ^\circ\text{C} \times \text{Rt}$
<b>Physical parameters</b>	
Leveling system	manual
Display	LCD (backlit)
Delivery components	Balance, weighing pan, weighing pan shield, grounding bumper ×1, bumper ×3, power supply.
Weighing pan dimensions	128×128 mm
Packaging dimensions	475×380×345 mm
Net weight	3,92 kg
Gross weight	6 kg
<b>Construction</b>	
Protection class	IP 43
Communication interface	2×RS232 <sup>1</sup> , USB-A, USB-B, Wi-Fi (option)
Power supply	Adapter: 100 – 240V AC 50/60Hz 0,6A; 12V DC 1,2A Balance: 12 – 15V DC 0,4A max
Power consumption	4 W
Operating temperature	+10 – +40 °C
Relative humidity	40% – 80%

\* Wi-Fi® is a registered trademark of Wi-Fi® Alliance.



Extra payment for verification



## Accessories

!Balance Storage Case  
 Antivibration tables  
 Power Adapters  
 Cigarette lighter receptacle power supply cables  
 USB cable (scale - printer)  
 Density determination KIT  
 Barcode scanners  
 Anti-draft Chamber for balances with a weighing pan 128×128mm

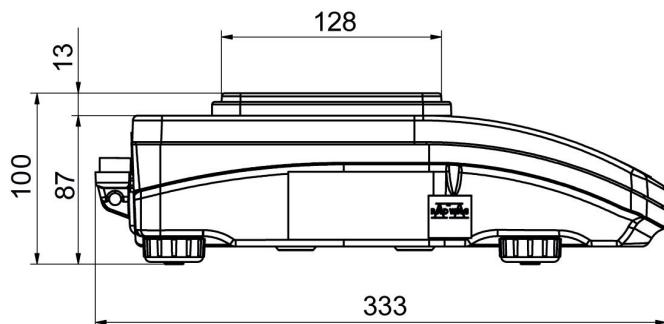
RS 232, RS 485 cables  
 Displays  
 Draft Shield  
 Receipt Printer  
 Protective cover for balances  
 RS 232, RS 485 cables  
 Under-pan weighing  
 RS 232 cables (scale - printer)

## Software

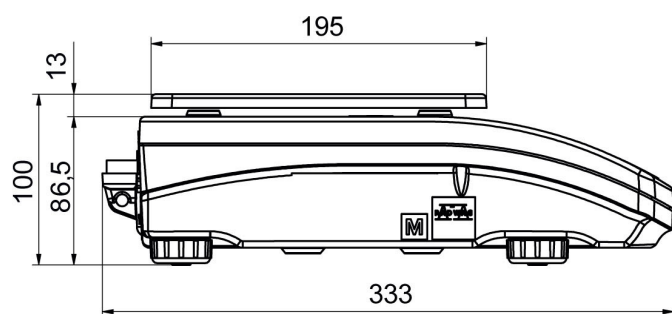
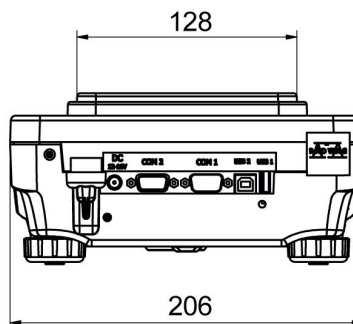
• RAD Key [WX-010-0005]  
 • Alibi Reader PC Software [WX-010-0114]

• R Panel [WX-010-0187]  
 • RADWAG Development Studio [WX-010-0104]

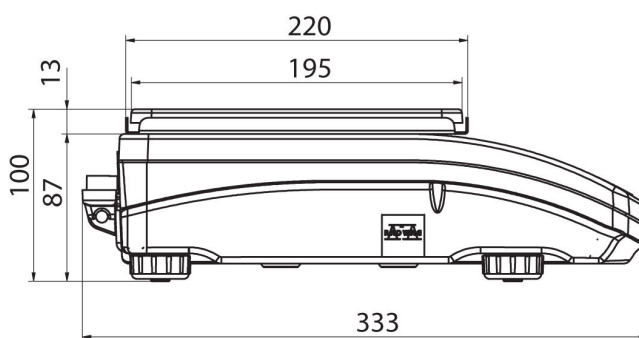
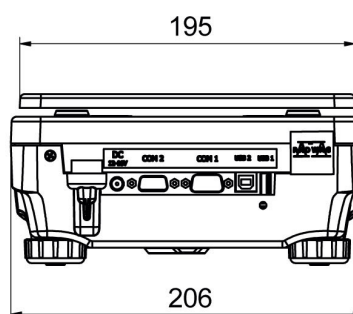
## Device dimensions



PS R, d = 1mg



PS R, d = 10 mg



PS R.M, d = 10 mg

