



More information on the website
radwag.com/en/info,w1,PP6

PS 1000.R2 Precision Balance



The drawings, photos and graphics used are for illustrative purposes only.

Functions

-  Autotest
-  Dosing
-  Percent Weighing
-  Totalizing
-  Parts counting
-  Peak hold
-  Newton unit measurement
-  Statistics
-  Checkweighing
-  Under-pan weighing
-  GLP Procedures
-  Animal weighing
-  Density determination

Datasheet

| Metrological parameters | |
|---------------------------------|---------|
| Maximum capacity [Max] | 1000 g |
| Minimum load | 20 mg |
| Readability [d] | 1 mg |
| Verification unit [e] | 10 mg |
| Tare range | -1000 g |
| Standard repeatability [5% Max] | 0.5 mg |

| Metrological parameters | |
|-------------------------------------|---|
| Standard repeatability [Max] | 1.5 mg |
| Standard minimum weight (USP) | 1 g |
| Standard minimum weight (U=1%, k=2) | 0.1 g |
| Linearity | ±3 mg |
| Stabilization time | 2 s |
| Adjustment | internal (automatic) |
| OIML Class | II |
| Sensitivity temperature drift | $2 \times 10^{-6} / ^\circ\text{C} \times \text{Rt}$ |
| Physical parameters | |
| Leveling system | manual |
| Display | LCD (backlit) |
| Delivery components | Balance, weighing pan, weighing pan shield, grounding bumper x1, bumper x3, power supply. |
| Weighing pan dimensions | 128×128 mm |
| Packaging dimensions | 475×380×345 mm |
| Net weight | 3.92 kg |
| Gross weight | 6 kg |
| Construction | |
| Protection class | IP 43 |
| Communication interface | |
| Communication interface | 2×RS232 ¹ , USB-A, USB-B, Wi-Fi (option) |
| Electrical parameters | |
| Power supply | Adapter: 100 – 240V AC 50/60Hz 0.6A; 12V DC 1.2A Balance: 12 – 15V DC 0.4A max |
| Power consumption | 4 W |
| Environmental conditions | |
| Operating temperature | +10 – +40 °C |
| Relative humidity | 40% – 80% |

Repeatability is expressed as a standard deviation from 10 weighing cycles.

Stabilization time depends on the ambient conditions and the dynamics of weighing pan loading; specified for FAST profile.

¹ Barcode scanners, available as weighing instrument accessory, communicate with the instrument via RS232 interface exclusively.

* Wi-Fi® is a registered trademark of Wi-Fi® Alliance.



Extra payment for verification



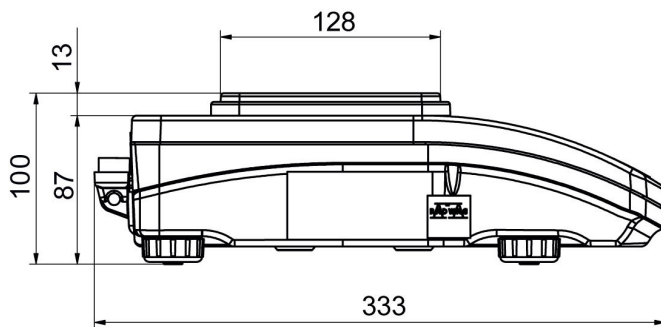
Accessories

| | |
|--|---------------------------------|
| Balance Storage Case | RS 232, RS 485 cables |
| Antivibration Tables | Displays |
| Power Adapters | Draft Shield |
| Cigarette lighter receptacle power supply cables | Receipt Printer |
| USB cable (scale - printer) | Protective cover for balances |
| Density determination KIT | RS 232, RS 485 cables |
| Barcode scanners | Under-pan weighing |
| Anti-Draft Chamber for Balances with a 128×128 mm Weighing Pan | RS 232 cables (scale - printer) |

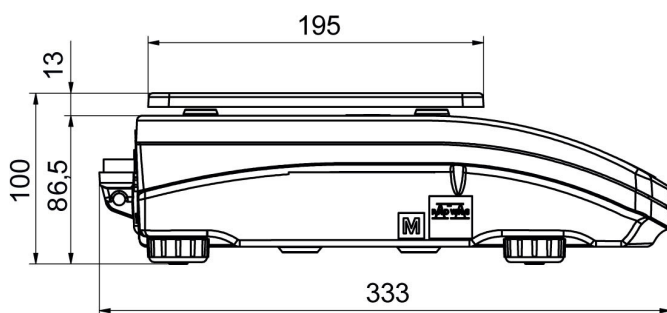
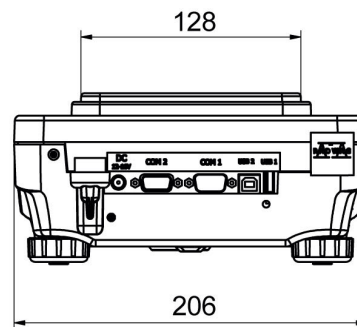
Software

- RAD Key [WX-010-0005]
- Alibi Reader [WX-010-0114]
- RADWAG Development Studio [WX-010-0104]
- R-Panel [WX-010-0187]
- R-Lab [WX-010-0080]

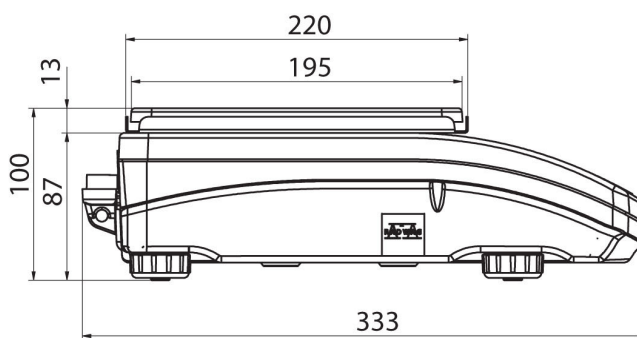
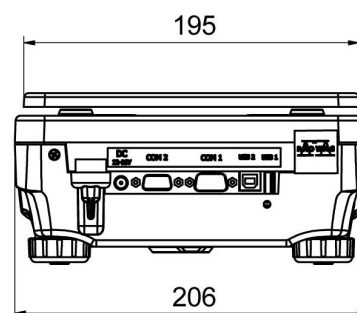
Device dimensions



PS R, d = 1mg



PS R, d = 10 mg



PS R.M, d = 10 mg

