



More information on the website  
radwag.com/en/info,w1,PES

# PUE H315 Weighing Terminal

WX-008-0191



The drawings, photos and graphics used are for illustrative purposes only.

## Functions

 Plus/Minus Control

 Percent Weighing

 Totalizing

 Parts counting

 Internal battery

 Peak hold

 Newton unit measurement

 GLP Procedures

 Animal weighing

 ALIBI Memory

## Datasheet

Metrological parameters	
OIML Class	III
Maximum quantity of divisions from converter	838 860 ×10
Maximum quantity of verification units	6000 e
Minimum voltage per verification unit	0.4 μV
Maximum voltage per verification unit	3.25 μV
Minimum load cell impedance	50 Ω
Maximum load cell impedance	1200 Ω

<b>Metrological parameters</b>	
Load cell excitation voltage	5V DC
Maximum increase of signal	39 mV
Connection of load cells	4 or 6 wires + ekran
<b>Physical parameters</b>	
Display	4.3" LCD (backlit)
Device dimensions W x D x H	208×145×80 mm
Packaging dimensions W x D x H	300×250×130 mm
Net weight	2 kg
Gross weight	2.2 kg
<b>Construction</b>	
Protection class	IP 66 / 67 / 69
Keypad	microswitch
Housing	Stainless steel
<b>Communication interface</b>	
Communication interface	RS232, USB
Optional interfaces	RS232 or RS485 or 4IN/4OUT or Ethernet or analog output 4-20 mA
<b>Electrical parameters</b>	
Power supply	100 – 240 V AC 50/60 Hz
Optional power supply	internal rechargeable battery
Operation time on batteries	max 7h
<b>Environmental conditions</b>	
Operating temperature	-10 – +40 °C
Storage temperature	-10 – +50 °C
Relative humidity	10% – 80% RH no condensation
Number of buttons	5
Multiple range	1 or 2 ranges
Additional LCD display	WD-4/1 (option)



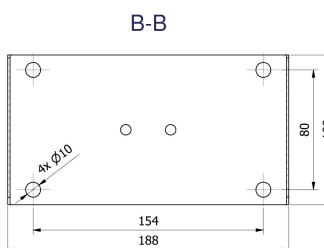
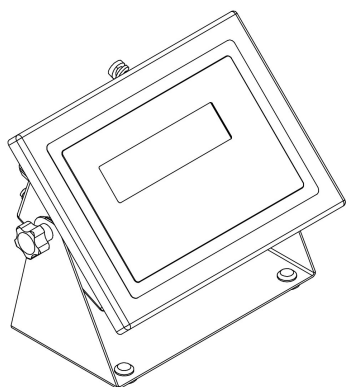
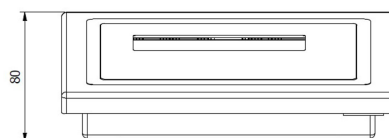
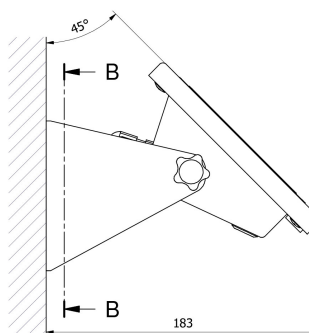
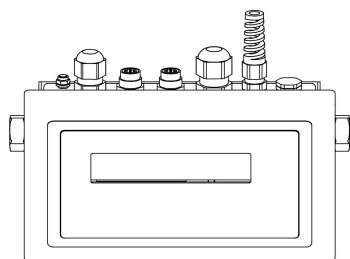
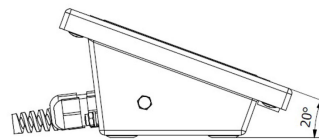
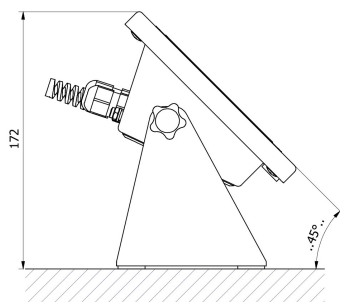
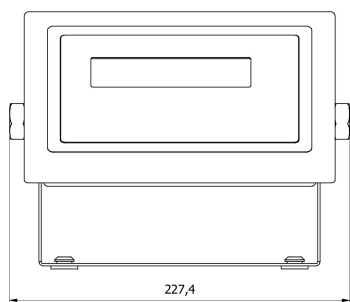
## Compatible with (Additional Fee)

Waterproof stainless steel platforms  
Mild steel powder coated weighing platforms  
AP2-4 Current Loop Unit  
RS 232 cables (scale - printer)  
RS 232, RS 485 cables  
Displays  
Ethernet cables (scale - Ethernet)  
Power Adapters

USB adapter  
Receipt Printer  
Additional modules  
USB cable (scale - printer)  
Stands, wall mounting kits and mounting brackets  
RS 232 – USB Converter  
RS 232 – RS 485 Converter

## Software (Additional Fee)

## Device dimensions W x D x H



B-B

