



More information on the website  
[radwag.com/en/info,w1,PAJ](http://radwag.com/en/info,w1,PAJ)

# H315.4I.2000.S3 Livestock Scale



The drawings, photos and graphics used are for illustrative purposes only.

## Functions

 Plus/Minus Control

 Percent Weighing

 Totalizing

 Parts counting

 Internal battery

 Peak hold

 Newton unit measurement

 Animal weighing

## Datasheet

### Metrological parameters

Maximum capacity [Max]	2000 kg
Minimum load	20 kg
Readability [d]	1 kg
Tare range	-2000 kg
OIML Class	III

### Physical parameters

Display	LCD (backlit)
Weighing pan dimensions	1×2.5 m
Barriers height	1.8 m

Cable length	3 m
<b>Construction</b>	
Protection class	IP 67 construction, IP 68 (1h max)/69 indicator
<b>Communication interface</b>	
Communication interface	RS232, USB
Optional interfaces	RS232 or RS485 or 4IN/4OUT or Ethernet or analog output 4-20 mA
<b>Electrical parameters</b>	
Power supply	100 – 240 V AC 50/60 Hz
Optional power supply	internal rechargeable battery
Operation time on batteries	max 7h
<b>Environmental conditions</b>	
Operating temperature	-10 ÷ +40 °C
Relative humidity	10% ÷ 85% RH no condensation



Extra payment for verification



## Accessories

RS 232 cables (scale - printer)  
 Displays  
 RS 232 cables (scale - Ethernet)  
 RS 232, RS 485 cables  
 RS 232 – Ethernet Converter  
 USB adatper

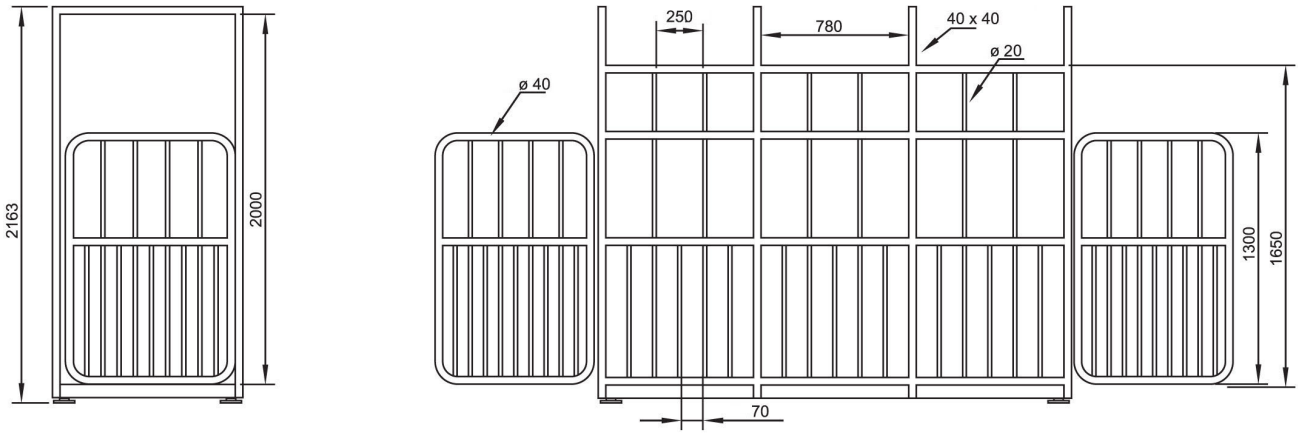
Receipt Printer  
 USB cable (scale - printer)  
 Stands, wall mounting kits and mounting brackets  
 RS 232 – USB Converter  
 RS 232, RS 485 cables

## Software

- RAD Key [WX-010-0005]
- R-Lab [WX-010-0080]

- R-Panel [WX-010-0187]
- Scale Editor 2.1 [WX-010-0173]

## Device dimensions



Option of door customization  
 (opening direction and type due  
 to different combinations of hinges  
 assembling and various door models)

