



More information on the website
radwag.com/us/info,w1,P11

MWLH 35 Electromagnetic Compensation Weighing Module



The drawings, photos and graphics used are for illustrative purposes only.

Datasheet

Maximum capacity [Max]	35 kg
Minimum load	5 g
Preload range	3,5 kg
Readability [d]	0,1 g
Tare range	-35 kg
Repeatability	0,1 g
Linearity	±0,3 g
Stabilization time	2 s
Adjustment	external
Construction	
Protection class	IP 65
Power supply	100 – 240 V AC 50/60 Hz
Operating temperature	+10 – +40 °C
Relative humidity	15% – 80%

Physical parameters

Weighing pan dimensions	212×174 mm
Device dimensions	341×236×164 mm
Packaging dimensions	580×413×360 mm



Accessories

RS 232 cables (scale - Ethernet)
RS 232, RS 485 cables
IN/OUT Cables

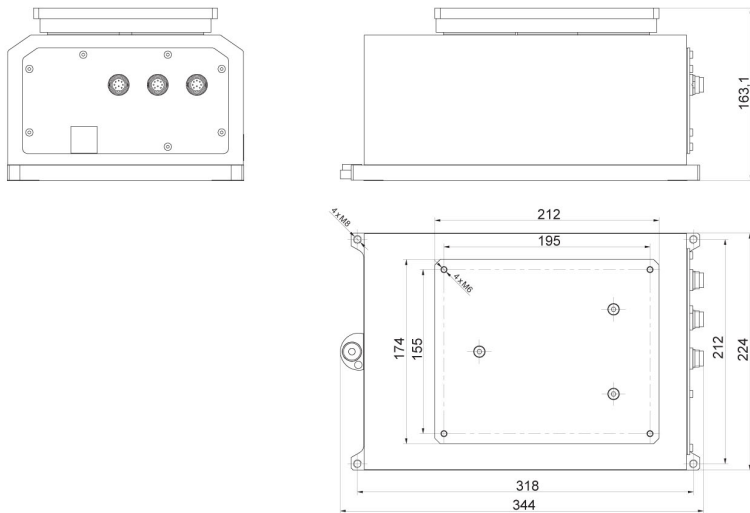
Powerbanks
RS 232 – USB Converter

Software

• MWMH Manager [WX-010-0103]
• Scale Editor - EWAG 2.1 [WX-010-0173]

• RAD Key [WX-010-0005]
• RADWAG Development Studio [WX-010-0104]

Device dimensions



[MWLH](#)