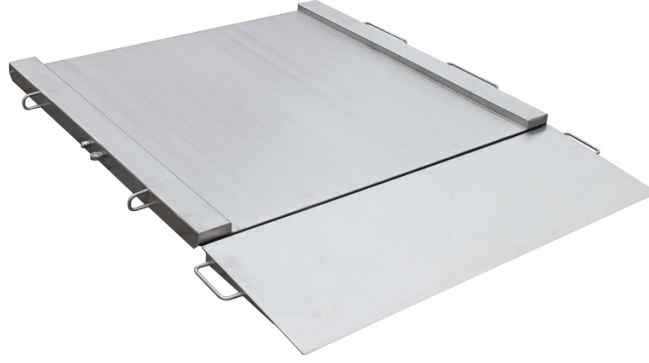




More information on the website  
radwag.com/tr/info,w1,ORP

## PL/4N/600/H1



The drawings, photos and graphics used are for illustrative purposes only.

### Teknik Veriler

Metrolojik parametreler	
Maksimum yük [Max]	600 kg
Konstrüksiyon	
IP Sınıfı	IP 68
Konstrüksiyon	Stainless steel AISI304
Tartım kefesi	Stainless steel AISI304
Fiziksel parametreler	
Tartım kefesi boyutları	840×860 mm
Weighing platform height	76 mm

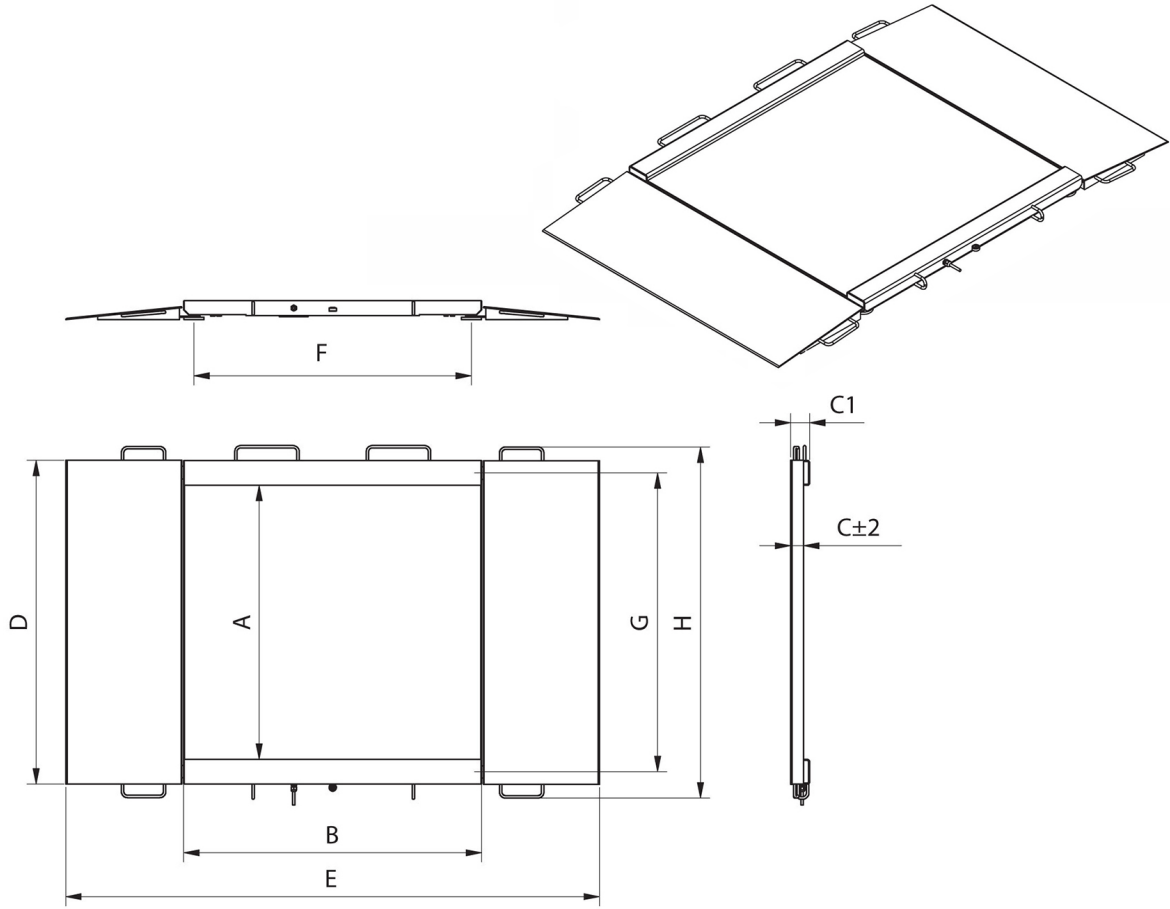


### Aksesuarlar

PUE 5 tartım terminali

PUE HX7 tartım terminali

## Cihaz boyutları



Model	Max	A	B	C	C1	D	E	F	G	H
PL/4N/150/H1	150 kg	840	860	45,5	76	1040	1710	778	940	1170
PL/4N/300/H1	300 kg	840	860	45,5	76	1040	1710	778	940	1170
PL/4N/600H1	600 kg	840	860	45,5	76	1040	1710	778	940	1170
PL/4N/150H2	1500 kg	1100	1200	45,5	76	1300	2050	1118	1200	1430
PL/4N/300/H2	300 kg	1100	1200	45,5	76	1300	2050	1118	1200	1430
PL/4N/600/H2	600 kg	1100	1200	45,5	76	1300	2050	1118	1200	1430
PL/4N/1500/H2	1500 kg	1100	1200	52,5	76	1300	2150	1118	1200	1430
PL/4N/300/H3	300 kg	1200	1500	45,5	76	1400	2350	1418	1300	1530
PL/4N/600/H3	600 kg	1200	1500	45,5	76	1400	2350	1418	1300	1530
PL/4N/1500/H3	1500 kg	1200	1500	52,5	76	1400	2450	1418	1300	1530
PL/4N/300/H4	300 kg	1500	1500	52,5	76	1700	2450	1418	1600	1830
PL/4N/600/H4	600 kg	1500	1500	52,5	76	1700	2450	1418	1600	1830
PL/4N/1500/H4	1500 kg	1500	1500	52,5	76	1700	2450	1418	1600	1830