



More information on the website
radwag.com/us/info,w1,ODT

DJ-04 Antistatic ionizer



The drawings, photos and graphics used are for illustrative purposes only.

Datasheet

Power supply	100 – 240 V AC 50/60 Hz
Operating temperature	0 – +40 °C
Relative humidity	5% – 80%
Distance form a sample	Ok. 5 – 50 mm
Ion source	stainless steel
Physical parameters	
Frame dimensions	268×110×295 mm
Packaging dimensions	375×375×130 mm
Net weight	1,3 kg
Gross weight	2,5 kg

Compatible with

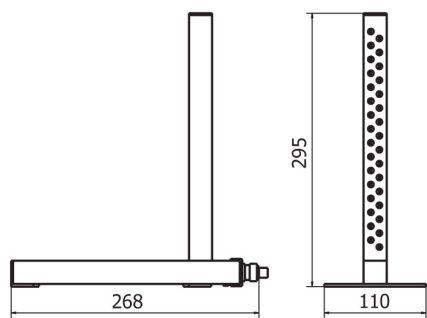
XA 5Y.M.A.P Microbalance for pipettes calibration
 AS X7 Analytical Balance

Analytical Balance for Filters XA 5Y.F
 XA 5Y Analytical Balance

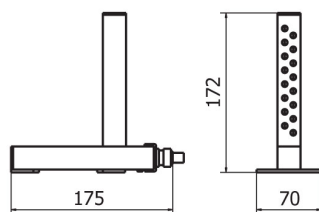
AS X2 PLUS Analytical Balances
XA 5Y.M.A Microbalance
XA 5Y.A Analytical Balance
AS 5Y Analytical Balance

AS R2 PLUS Analytical Balance
XA 5Y.M Microbalance
AS R1 PLUS Analytical Balance
XA 5Y.M.A.S Microbalance for stents weighing

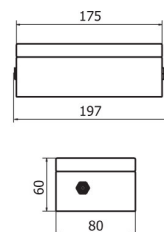
Device dimensions



DJ-04



DJ-05



power supply
