



More information on the website
radwag.com/en/info,w1,09J

AK-4.2000.5Y Automatic Mass Comparators

WL-413-0018



The drawings, photos and graphics used are for illustrative purposes only.

Datasheet

Metrological parameters	
E0 Calibration Range	200 g – 2 kg *
E1 Calibration Range	200 g – 2 kg
E2 Calibration Range	200 g – 2 kg
F1 Calibration Range	200 g – 2 kg
F2 Calibration Range	200 g – 2 kg
Maximum capacity [Max]	2.05 kg
Readability [d]	0.01 mg
Standard repeatability [5% Max]	12 µg
Standard repeatability [Max]	15 µg
Permissible repeatability	25 µg
Eccentricity (tested load)	0 mg
Electric compensation range	-10 g – +50 g
Stabilization time	30 s
Adjustment	internal (automatic)

Physical parameters	
Display	10" graphic colour touchscreen
Weighing pan dimensions	ø75 mm
Weighing device dimensions	385×215×600 mm
Controlling device dimensions	249×170×72 mm
Anti-draft chamber dimensions	560×340×665 mm
Packaging dimensions	860×800×560 mm
Chamber packaging size	950×420×630 mm
Net weight	69 kg
Gross weight	96 kg
Supplementary weights internal	half automatic
Supplementary weights external	-
Magazine	4
Communication interface	
Communication interface	2×USB-A, USB-C, RS 232 (COM3), HDMI, Ethernet, Wi-Fi, Hotspot
Electrical parameters	
Power supply	100 – 240 V AC 50/60 Hz
Environmental conditions	
Operating temperature	+15 – +30 °C
Operating temperature change rate	±0.5 °C / 12 h (±0.3 °C / 4 h)
Relative humidity	40% – 60%
Relative humidity change rate	±5% / 12 h (3% / 4 h)

Repeatability is expressed as a standard deviation determined for 6 ABBA cycles. Standard deviation is experimentally determined under ambient conditions for calibration of E1 class mass standards specified in OIML R111 (Table C.1.) document.
E0 standard determined from 1∅5 limiting error according to OIML R111 for class E1.

* Wi-Fi® is a registered trademark of Wi-Fi® Alliance.



Accessories (Additional Fee)

RFID Tags
 Antivibration Tables
 Additional modules
 Protective cover for balances
 Barcode scanners
 RS 232, RS 485 cables

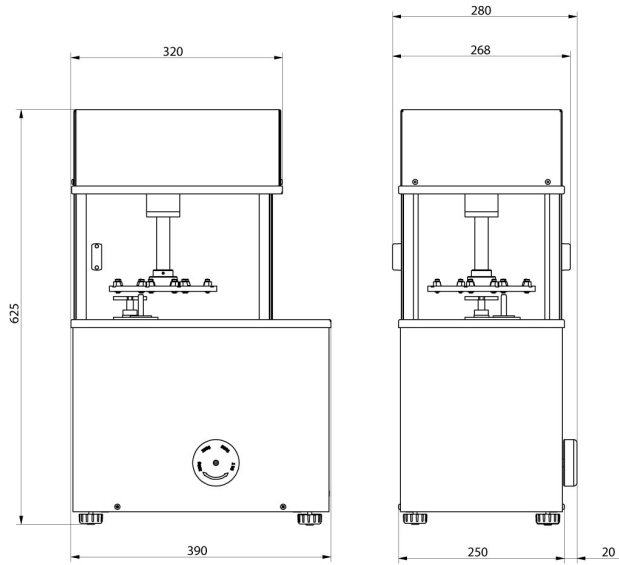
THBR 2.0 System - Ambient Conditions Monitoring
 Receipt Printer
 Fingerprint Reader
 RS 232, RS 485 cables
 RS 232 cables (scale - printer)

Software (Additional Fee)

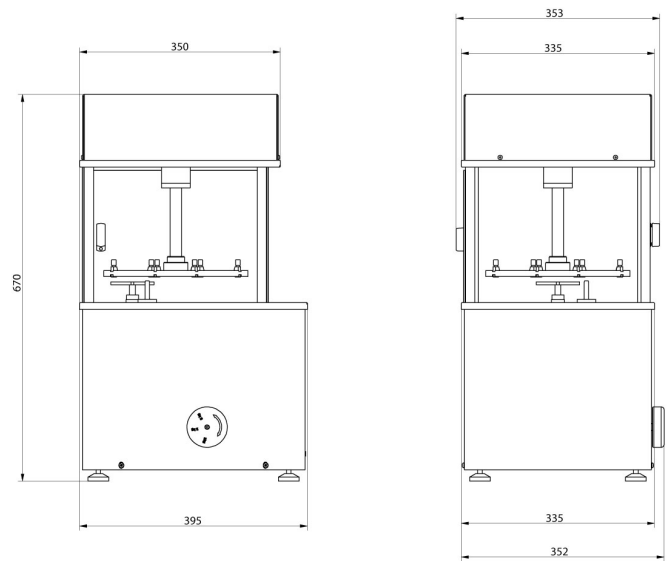
- RAD Key [WX-010-0005]
- RMCS System Network Management of Calibration Process [WX-010-0048]

- RMCS Lite [WX-010-0164]

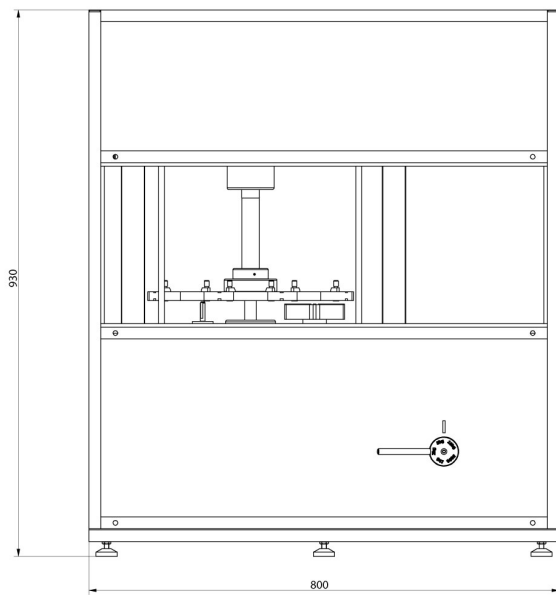
Device dimensions



AK-4/100, AK-4/1000,
AK-4/1000.1



AK-4/2000, AK-4/5000,
AK-4/5000.1



AK-4/10000, AK-4/16000

