



More information on the website
radwag.com/en/info,w1,MRQ

PL/4N/150/H1.LD



Datasheet

Metrological parameters	
Maximum capacity [Max]	150 kg
Readability [d]	50 g
Protection class	IP 68
Weighing pan material	stainless steel AISI304
Construction	
Construction	stainless steel
Physical parameters	
Weighing pan dimensions	840x860 mm
Weighing platform height	76 mm

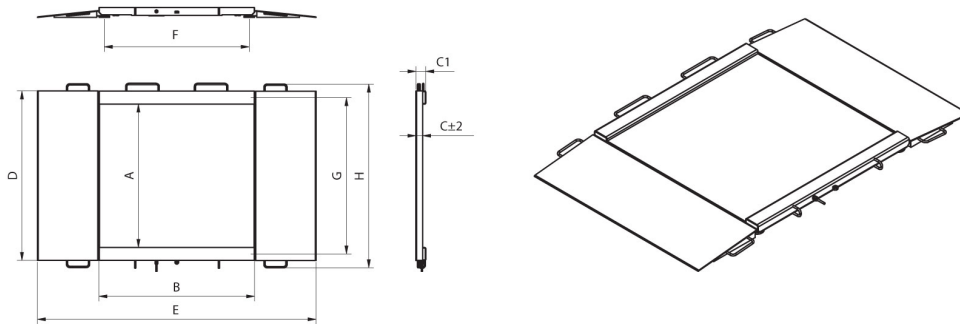


Accessories

PUE 5 Terminal

PUE HX7 Terminal

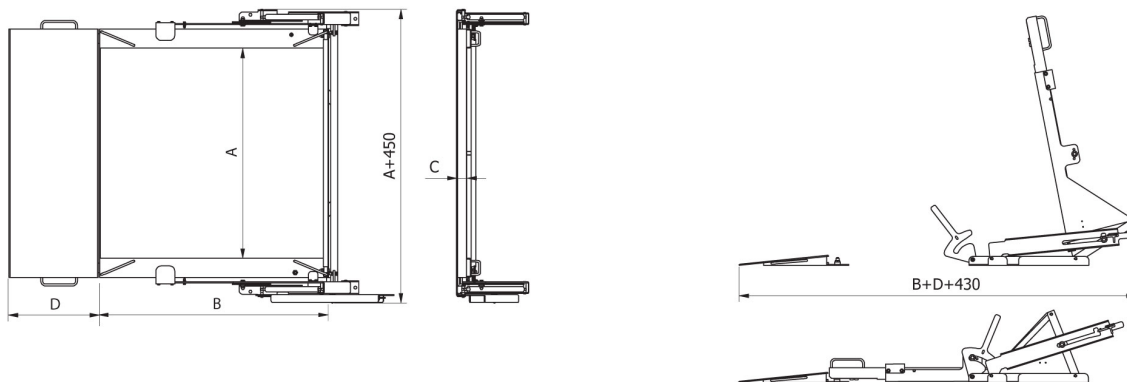
Device dimensions



Platform	Max	A	B	C	C1	D	E	F	G	H
PL/4N/400/H1	400 kg	840	860	45.5	76	1040	approx. 1710	778	940	1170
PL/4N/400/H2	400 kg	1100	1200	45.5	76	1300	approx. 2050	1118	1200	1430
PL/4N/800/H2	800 kg	1100	1200	45.5	76	1300	approx. 2050	1118	1200	1430
PL/4N/800/H3	800 kg	1200	1500	45.5	76	1400	approx. 2350	1418	1300	1530
PL/4N/1500/H2	1500 kg	1100	1200	52.5	76	1300	approx. 2150	1118	1200	1430
PL/4N/1500/H3	1500 kg	1200	1500	52.5	76	1400	approx. 2450	1418	1300	1530
PL/4N/1500/H4	1500 kg	1500	1500	52.5	76	1700	approx. 2450	1418	1600	1830

dimensions in mm

PL/4/N



Platform	A	B	C	D
PL/4/N/150/H1.LD	840	860	45	426
PL/4/N/300/H1.LD	840	860	45	426
PL/4/N/600/H1.LD	840	860	45	426
PL/4/N/300/H2.LD	1100	1200	45	426
PL/4/N/600/H2.LD	1100	1200	45	426
PL/4/N/300/H3.LD	1200	1500	45	426
PL/4/N/600/H3.LD	1200	1500	45	426
PL/4/N/1500/H2.LD	1100	1200	52	476
PL/4/N/1500/H3.LD	1200	1500	52	476
PL/4/N/300/H4.LD	1500	1500	52	476
PL/4/N/600/H4.LD	1500	1500	52	476
PL/4/N/1500/H4.LD	1500	1500	52	476

dimensions in mm

PL/4/N.LD