



More information on the website
radwag.com/en/info,w1,MRQ

PL/4N/150/H1.LD



Datasheet

| Metrological parameters | |
|--------------------------|-------------------------|
| Maximum capacity [Max] | 150 kg |
| Readability [d] | 50 g |
| Protection class | IP 68 |
| Weighing pan material | stainless steel AISI304 |
| Construction | |
| Construction | stainless steel |
| Physical parameters | |
| Weighing pan dimensions | 840x860 mm |
| Weighing platform height | 76 mm |

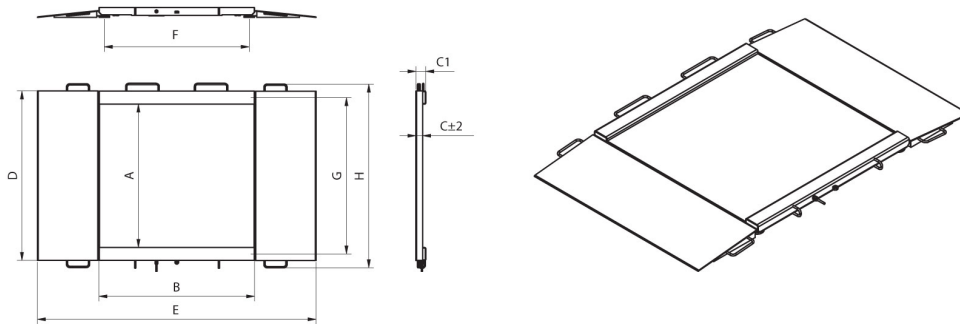


Accessories

PUE 5 Terminal

PUE HX7 Terminal

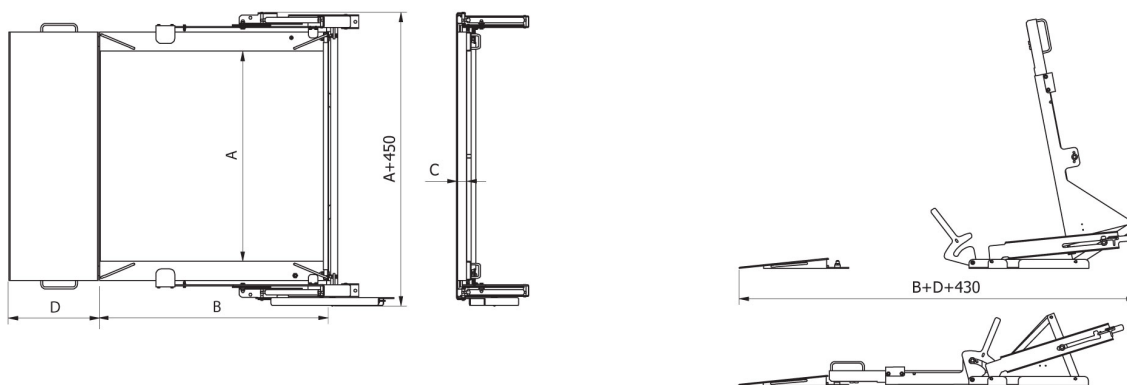
Device dimensions



| Platform | Max | A | B | C | C1 | D | E | F | G | H |
|---------------|---------|------|------|------|----|------|--------------|------|------|------|
| PL/4N/400/H1 | 400 kg | 840 | 860 | 45.5 | 76 | 1040 | approx. 1710 | 778 | 940 | 1170 |
| PL/4N/400/H2 | 400 kg | 1100 | 1200 | 45.5 | 76 | 1300 | approx. 2050 | 1118 | 1200 | 1430 |
| PL/4N/800/H2 | 800 kg | 1100 | 1200 | 45.5 | 76 | 1300 | approx. 2050 | 1118 | 1200 | 1430 |
| PL/4N/800/H3 | 800 kg | 1200 | 1500 | 45.5 | 76 | 1400 | approx. 2350 | 1418 | 1300 | 1530 |
| PL/4N/1500/H2 | 1500 kg | 1100 | 1200 | 52.5 | 76 | 1300 | approx. 2150 | 1118 | 1200 | 1430 |
| PL/4N/1500/H3 | 1500 kg | 1200 | 1500 | 52.5 | 76 | 1400 | approx. 2450 | 1418 | 1300 | 1530 |
| PL/4N/1500/H4 | 1500 kg | 1500 | 1500 | 52.5 | 76 | 1700 | approx. 2450 | 1418 | 1600 | 1830 |

dimensions in mm

PL/4/N



| Platform | A | B | C | D |
|-------------------|------|------|----|-----|
| PL/4/N/150/H1.LD | 840 | 860 | 45 | 426 |
| PL/4/N/300/H1.LD | 840 | 860 | 45 | 426 |
| PL/4/N/600/H1.LD | 840 | 860 | 45 | 426 |
| PL/4/N/300/H2.LD | 1100 | 1200 | 45 | 426 |
| PL/4/N/600/H2.LD | 1100 | 1200 | 45 | 426 |
| PL/4/N/300/H3.LD | 1200 | 1500 | 45 | 426 |
| PL/4/N/600/H3.LD | 1200 | 1500 | 45 | 426 |
| PL/4/N/1500/H2.LD | 1100 | 1200 | 52 | 476 |
| PL/4/N/1500/H3.LD | 1200 | 1500 | 52 | 476 |
| PL/4/N/300/H4.LD | 1500 | 1500 | 52 | 476 |
| PL/4/N/600/H4.LD | 1500 | 1500 | 52 | 476 |
| PL/4/N/1500/H4.LD | 1500 | 1500 | 52 | 476 |

dimensions in mm

PL/4/N.LD