



More information on the website
radwag.com/en/info,w1,MRB

MPS 6000.R Weighing Module



The drawings, photos and graphics used are for illustrative purposes only.

Datasheet

Metrological parameters	
Maximum capacity [Max]	6000 g
Minimum load	500 mg
Preload range	600 g
Readability [d]	10 mg
Tare range	-6000 g
Repeatability	15 mg
Linearity	±30 mg
Stabilization time	1.5 s
Adjustment	internal (automatic)
Physical parameters	
Display	LCD (backlit)
Weighing pan dimensions	ø115 mm
Device dimensions	293×190×112 mm
Packaging dimensions	515×340×295 mm
Net weight	4.7 kg

Construction	
Protection class	IP 32
Housing	aluminum
Communication interface	
Communication interface	RS232, USB-B
Electrical parameters	
Power supply	100 – 240 V AC 50/60 Hz
Environmental conditions	
Operating temperature	+10 ÷ +40 °C
Relative humidity	40% ÷ 80%



Accessories

Antivibration Tables
Professional Weighing Tables
RS 232, RS 485 cables

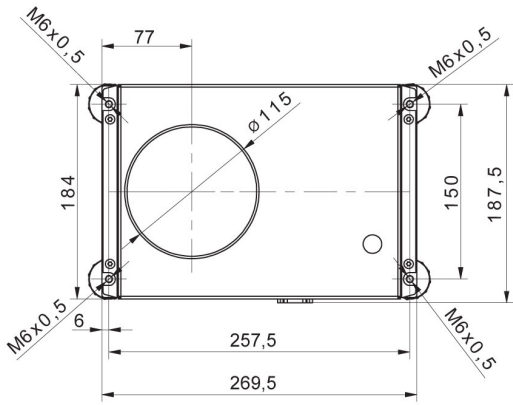
RS 232 – USB Converter
RS 232 cables (scale - printer)

Software

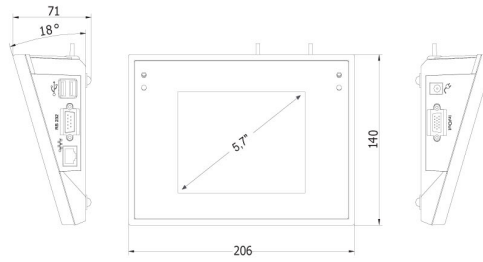
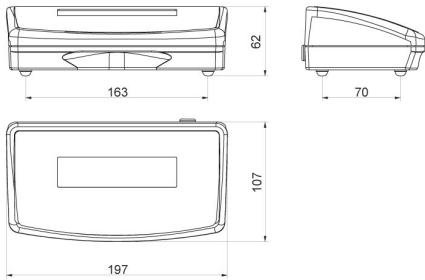
- RAD Key [WX-010-0005]
- R-Lab [WX-010-0080]

- R-Panel [WX-010-0187]
- RADWAG Development Studio [WX-010-0104]

Device dimensions

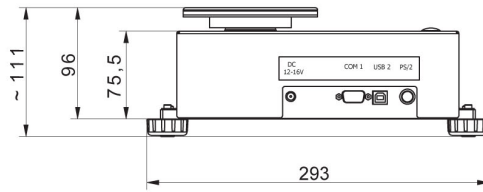
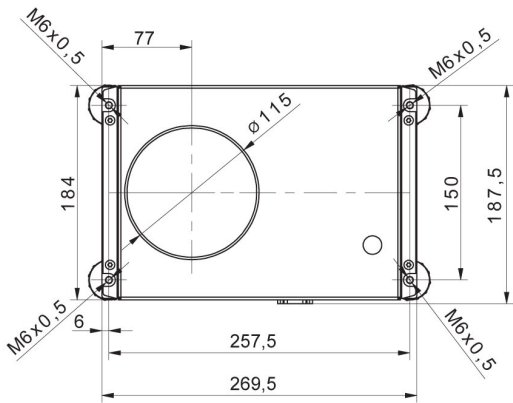


MPS

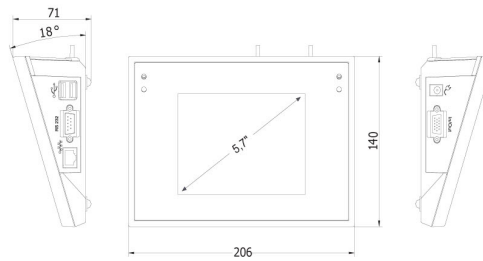
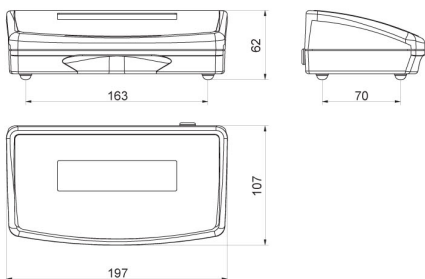


R operator panel

Y operator panel



MPS



R operator panel

Y operator panel