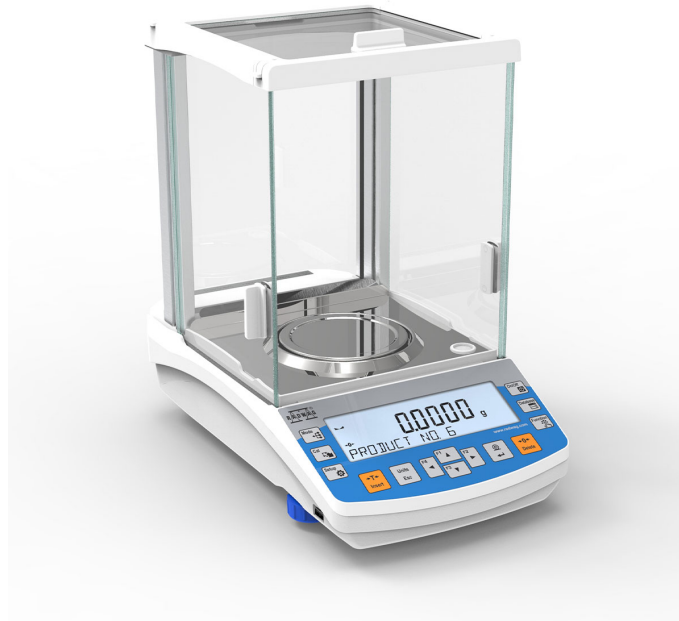




More information on the website
radwag.com/ja/info,w1,LZY

AS 220.R1 PLUS

WL-104-0229



The drawings, photos and graphics used are for illustrative purposes only.



Autotest



Dosing



Percent Weighing



Totalizing



Parts counting



Peak hold



Newton unit measurement



Statistics



Checkweighing



Under-pan weighing



GLP Procedures



Animal weighing



Density determination

[Max]	220 g
	10 mg
[d]	0,1 mg
	-220 g
[5% Max]	0,07 mg
[Max]	0,08 mg

Technical Specifications	
Resolution (USP)	140 mg
Resolution (U=1%, k=2)	14 mg
Resolution [5% Max]	0,09 mg
Resolution [Max]	0,1 mg
Accuracy	±0,2 mg
Response Time	2 s
Weight	0,3 kg
OIML Class	-
Physical Characteristics	
Display	Monochrome
Display Type	LCD (Monochrome)
Display Size	7" (Diagonal)
Display Resolution	480 x 320
Display Contrast	1000:1
Display Brightness	100 cd/m²
Display Color	490x400x520 mm
Display Weight	7,3 kg
Display Height	9,3 kg
Environmental	
IP Rating	IP 43
Connectivity	
Ports	2xRS232, 2xUSB-A (Type A), USB-B, Wi-Fi (802.11n)
Power	
Power Adapter	Adapter: 100 – 240V AC 50/60Hz 0,6A; 12V DC 1,2A : 12 – 15V DC 0,4A max
Operating Conditions	
Operating Temperature	+10 – +40 °C
Operating Humidity	40% – 80%

* Wi-Fi® is a registered trademark of Wi-Fi® Alliance.



Additional Fee

USB cable (Type A - Type B)
 RS 232/RS 485 module

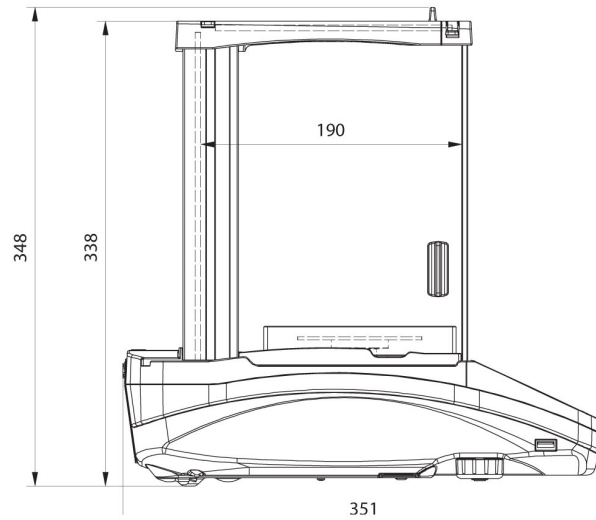
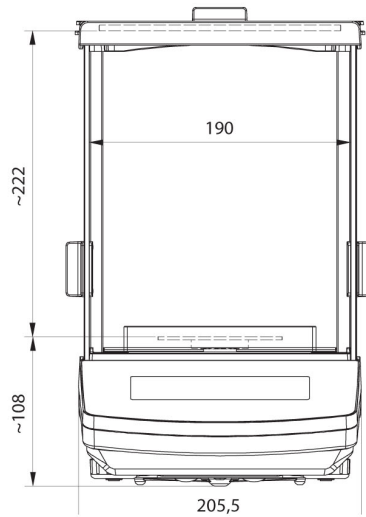
AP2-1 module
 RS 232/RS 485 module
 RS 232 module (Type A - Type B)

☒☒☒☒☒ (Additional Fee)

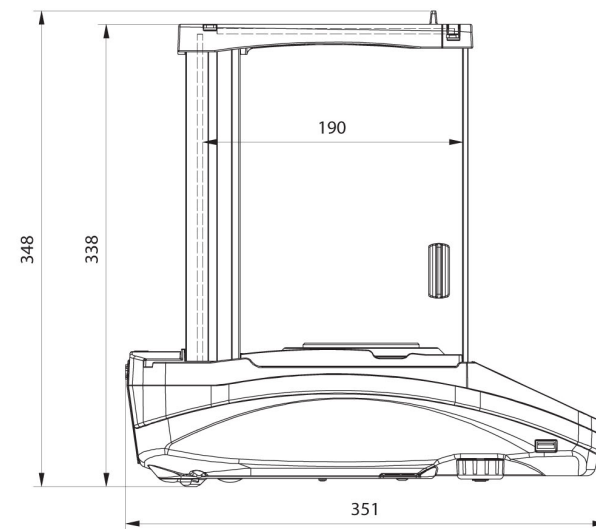
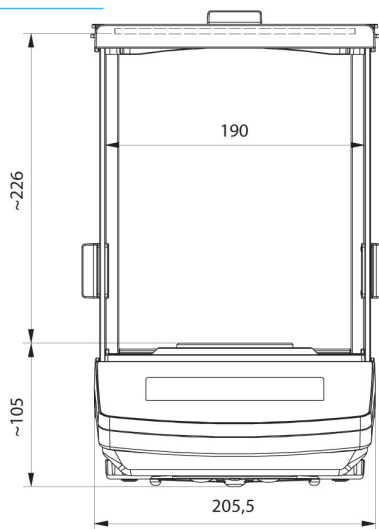
- [WX-010-0005]
- [WX-010-0114]
- [WX-010-0104]

- [WX-010-0187]
- [WX-010-0080]

☒☒☒☒☒☒



AS R2, d = 0.01 mg



AS R2, AS R1 d = 0.1 mg