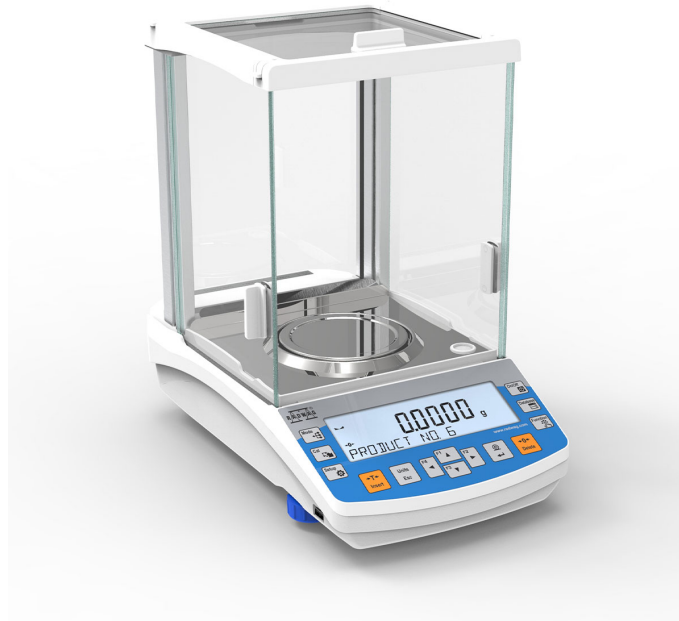




More information on the website
radwag.com/ja/info,w1,LZY

AS 220.R1 PLUS

WL-104-0229



The drawings, photos and graphics used are for illustrative purposes only.



Autotest



Dosing



Percent Weighing



Totalizing



Parts counting



Peak hold



Newton unit measurement



Statistics



Checkweighing



Under-pan weighing



GLP Procedures



Animal weighing



Density determination



<p>XXXXXXXXXX</p>	
XXXXXXXXXX [Max]	220 g
XXXXXX	10 mg
XXXXX [d]	0,1 mg
XXXXX	-220 g
XXXXXXXXXX [5% Max]	0,07 mg
XXXXXXXXXX [Max]	0,08 mg

Technical Specifications	
Resolution (USP)	140 mg
Resolution (U=1%, k=2)	14 mg
Resolution [5% Max]	0,09 mg
Resolution [Max]	0,1 mg
Accuracy	±0,2 mg
Response Time	2 s
Weight	0,1 kg
OIML Class	-
Physical Characteristics	
Display	LCD (4.3")
Resolution	700x1000 pixels
Color	16.7M colors
Screen Size	Ø100 mm
Dimensions	490x400x520 mm
Weight	7,3 kg
Net Weight	9,3 kg
Environmental	
Protection Class	IP 43
Connectivity	
Ports	2xRS232, 2xUSB-A (Type-C), USB-B, Wi-Fi (802.11n)
Power	
Power Adapter	Adapter: 100 – 240V AC 50/60Hz 0,6A; 12V DC 1,2A : 12 – 15V DC 0,4A max
Operating Conditions	
Temperature	+10 – +40 °C
Humidity	40% – 80%

* Wi-Fi® is a registered trademark of Wi-Fi® Alliance.



Additional Fee

USB cable (Type-C - Type-B)
 RS 232/RS 485 module

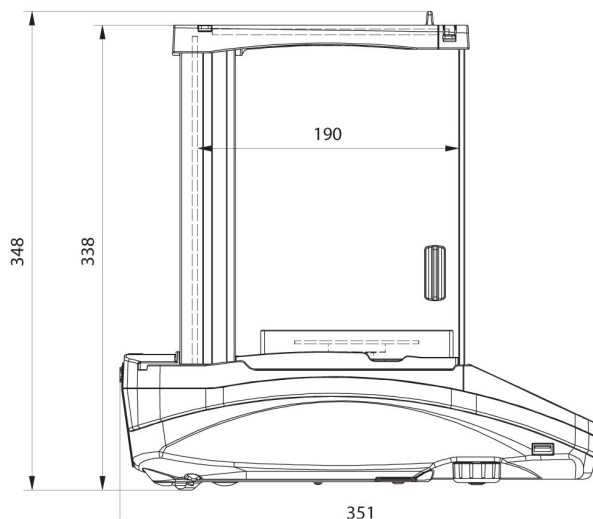
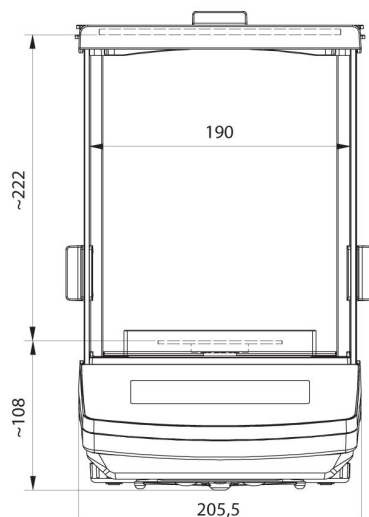
AP2-1 module
 RS 232/RS 485 module
 RS 232 module (Type-C - Type-B)

☒☒☒☒☒ (Additional Fee)

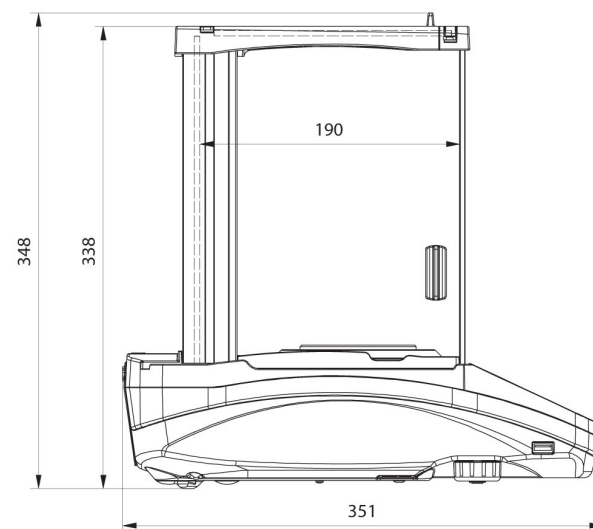
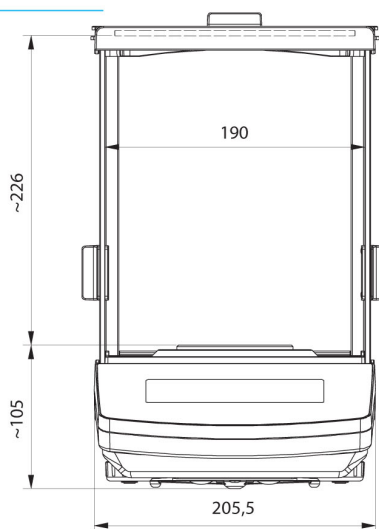
- [WX-010-0005]
- [WX-010-0114]
- [WX-010-0104]

- [WX-010-0187]
- [WX-010-0080]

☒☒☒☒☒☒



AS R2, d = 0.01 mg



AS R2, AS R1 d = 0.1 mg