



More information on the website
radwag.com/us/info,w1,LRO

KIT 195.M Density Determination Kit



The drawings, photos and graphics used are for illustrative purposes only.

Overview

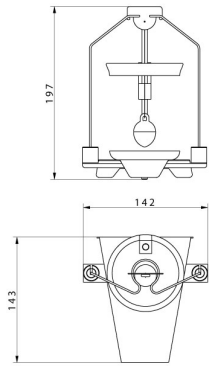
Density determination kit is intended for PS M high capacity precision balances based on RADWAG MonoBLOCK technology equipped with 195×195 mm weighing pan. This stainless steel kit is applicable for determining density of: - solids; - liquids.

Compatible with

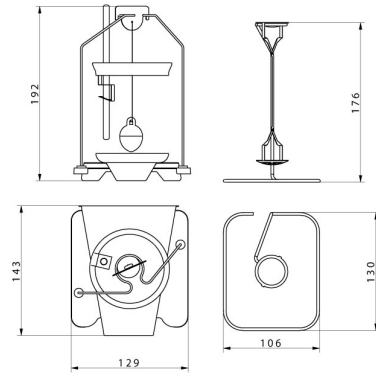
PS X2 Precision Balance
PS X7 Balances for PGC
PS R2 Precision Balance
PS X2 Balances for PGC

PS X7 Precision Balance
PS 5Y Balances for PGC
PS R1 Precision Balance
PS 5Y Precision Balance

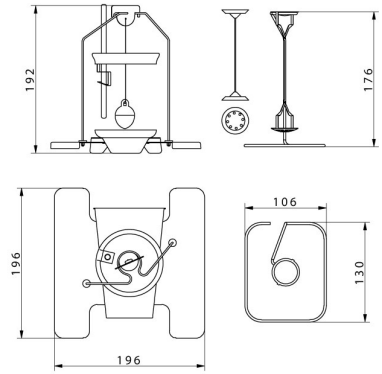
Device dimensions



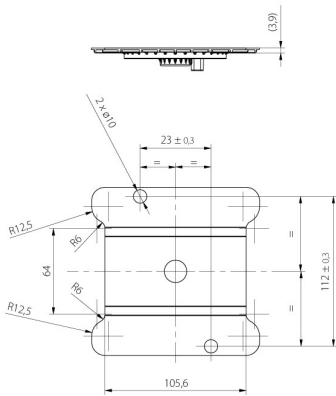
KIT 85



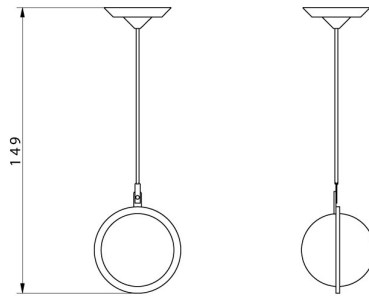
KIT 128



KIT 195



KIT 195.M



Granulte density
determination KIT