



More information on the website  
radwag.com/tr/info,w1,LR0

## KIT 195.M Yoğunluk Tespit Kiti



The drawings, photos and graphics used are for illustrative purposes only.

### Genel Açıklama

KIT 195.M is a density determination kit intended for PS M precision balances of high capacity, operating on the basis of RADWAG MonoBLOCK® technology, and featuring 195x195 weighing pan.

This stainless steel accessory allows determining density of:

solids, liquids.

### İle uyumlu

PS X2 Hassas Teraziler  
PS R2 Hassas Teraziler  
PGC için PS X2 terazileri

PS X7 Hassas Teraziler  
PS R1 Hassas Teraziler  
PS 5Y Hassas Teraziler

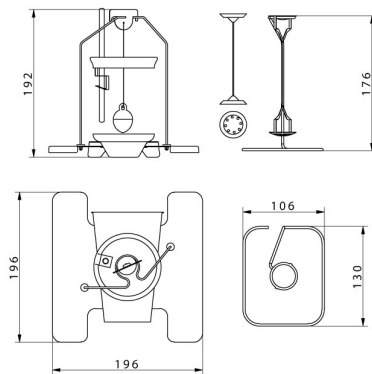
### Cihaz boyutları



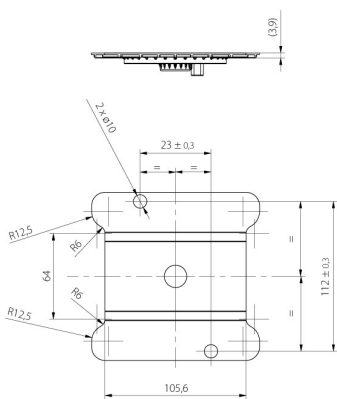
KIT 85



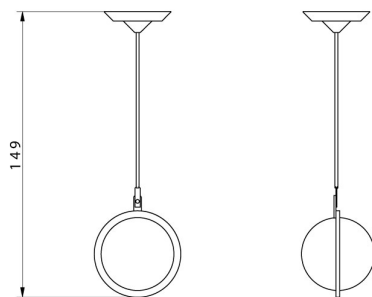
KIT 128



KIT 195



KIT 195.M



Granulte density  
determination KIT