



More information on the website
radwag.com/en/info,w1,LR0

KIT 195.M Density Determination Kit



The drawings, photos and graphics used are for illustrative purposes only.

Overview

KIT 195.M is a density determination kit intended for PS M precision balances of high capacity, operating on the basis of RADWAG MonoBLOCK® technology, and featuring 195x195 weighing pan.

This stainless steel accessory allows determining density of:

solids, liquids.

Compatible with

PS X2 Precision Balance
 PS X7 Balances for PGC
 PS R2 Precision Balance
 PS X2 Balances for PGC

PS X7 Precision Balance
 PS 5Y Balances for PGC
 PS R1 Precision Balance
 PS 5Y Precision Balance

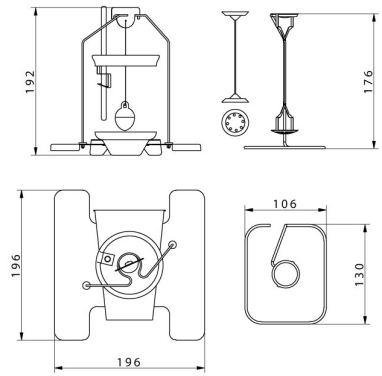
Device dimensions



KIT 85



KIT 128



KIT 195



KIT 195.M



Granulte density
determination KIT