



More information on the website  
[radwag.com/en/info,w1,LD7](http://radwag.com/en/info,w1,LD7)

# HY10.150.1.HRP.H.M2.2 High Resolution Scale



The drawings, photos and graphics used are for illustrative purposes only.

## Functions

-  Dosing
-  Labelling
-  Plus/Minus Control
-  Percent Weighing
-  Totalizing
-  Parts counting
-  Peak hold
-  Formulation
-  Newton unit measurement
-  Statistics
-  Checkweighing
-  GLP Procedures
-  Animal weighing
-  Differential weighing
-  Replaceable unit
-  Statistical Quality Control
-  ALIBI Memory
-  Transactions

## Datasheet

| Metrological parameters |        |
|-------------------------|--------|
| Maximum capacity [Max]  | 150 kg |
| Minimum load            | 250 g  |
| Preload range           | 30 kg  |
| Readability [d]         | 5 g    |

| <b>Metrological parameters</b>         |   |
|--|---|
| Verification unit [e]                  | 5 g   |
| Tare range                             | -150 kg   |
| Repeatability                          | 1.5 g   |
| Linearity                              | ±5 g  |
| Stabilization time                     | 3 s   |
| Adjustment                             | internal (automatic)  |
| OIML Class                             | II  |
| Maximum quantity of verification units | 30000 e   |
| <b>Physical parameters</b>             |   |
| Display                                | 10" graphic colour touchscreen  |
| Weighing pan dimensions                | 800×600 mm  |
| Packaging dimensions                   | 800×1000×537 mm   |
| Net weight                             | 71.5 kg   |
| Gross weight                           | 119 kg  |
| <b>Construction</b>                    |   |
| Protection class                       | IP 66/67 construction, IP 68/69 indicator   |
| Construction                           | Stainless steel AISI304   |
| Weighing pan material                  | Stainless steel AISI304   |
| <b>Communication interface</b>         |   |
| Communication interface                | 2×RS232, 2×USB-A, Ethernet, 4 IN / 4 OUT (digital)  |
| Optional interfaces                    | module Wi-Fi 802.11 b/g/n, module Profibus (DP SLAVE), module RS485, module PROFINET (RJ45), analog output module (4-20mA, 0-20mA, 0-10V) , 12IN / 12OUT (IN – 5-24 VDC, OUT – max 30 VDC, 0.5 ADC) |
| <b>Electrical parameters</b>           |   |
| Power supply                           | 100 – 240 V AC 50/60 Hz   |
| <b>Environmental conditions</b>        |   |
| Operating temperature                  | +10 ÷ +40 °C  |
| Relative humidity                      | 40% ÷ 80%   |

**Repeatability** is expressed as the standard deviation of ten load placements.

**Relative humidity** under non-condensing conditions.

**Stabilization time** under optimal environmental conditions.

\* Wi-Fi® is a registered trademark of Wi-Fi® Alliance.



Extra payment for verification



## Accessories

RS 232 cables (scale - printer)  
 Transponder card readers  
 RS 232 cables (scale - ZEBRA printer)  
 RS 232 cables (scale - Ethernet)  
 Displays  
 RS 232, RS 485 cables  
 IN/OUT Cables  
 Barcode scanners

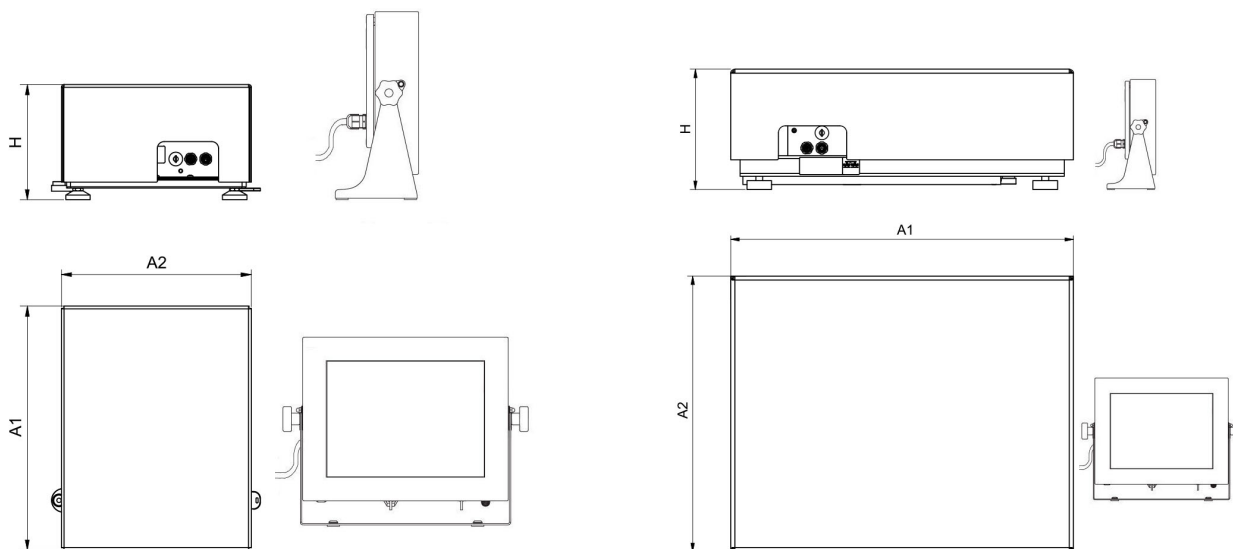
Label Printers  
 Stands, wall mounting kits and mounting brackets  
 Keypad, external switches  
 Receipt Printer  
 USB cable (scale - printer)  
 Additional Weighing platforms Module  
 Additional modules  
 RS 232 – USB Converter

## Software

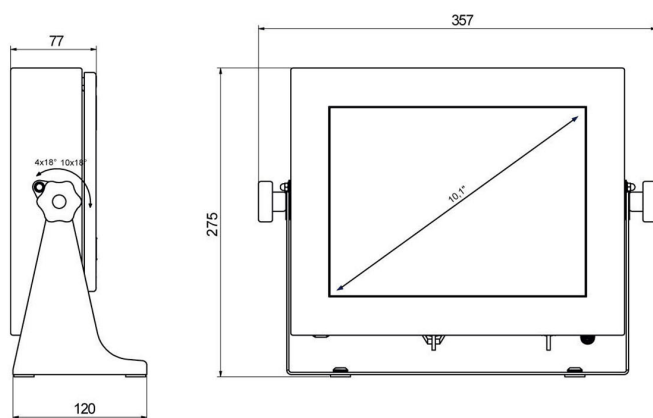
- E2R Weighing [WX-010-0099]
- E2R Weighing Records [WX-010-0038]
- Audit Trail Reader [WX-010-0186]
- RADWAG Remote Desktop [WX-010-0107]
- Scale Editor 2.1 [WX-010-0173]

- E2R Formulations [WX-010-0043]
- RAD Key [WX-010-0005]
- Label Editor R02 [WX-010-0094]
- R-Lab [WX-010-0080]
- RADWAG Development Studio [WX-010-0104]

## Device dimensions



HY10.16 - 32.HRP.H



| Scale type              | A1   | A2   | H     |
|-------------------------|------|------|-------|
| HY10.(16-32).HRP.H      | 360  | 280  | 180±5 |
| HY10.(62-150).HRP.H     | 500  | 400  | 180±5 |
| HY10.150.2.HRP.H        | 500  | 500  | 180±5 |
| HY10.(150.1-300).HRP.H  | 800  | 600  | 180±5 |
| HY10.(300.1-1100).HRP.H | 1000 | 800  | 180±5 |
| HY10.(2000).HRP.H       | 1250 | 1000 | 180±5 |

Dimensions in mm

PUE HY10