



More information on the website
radwag.com/en/info,w1,L5I

KR-04-1 Converter



The drawings, photos and graphics used are for illustrative purposes only.

Datasheet

Physical parameters

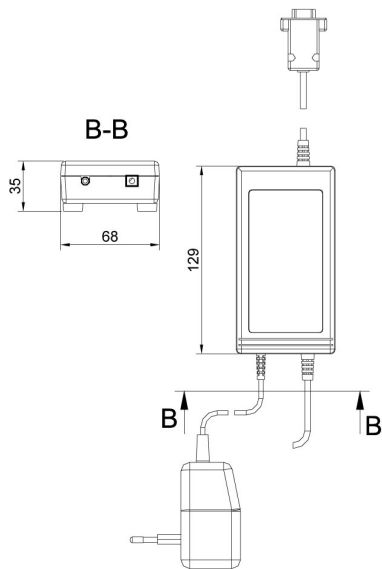
Packaging dimensions	220×190×90 mm
Net weight	0.4 kg
Gross weight	0.8 kg

Compatible with

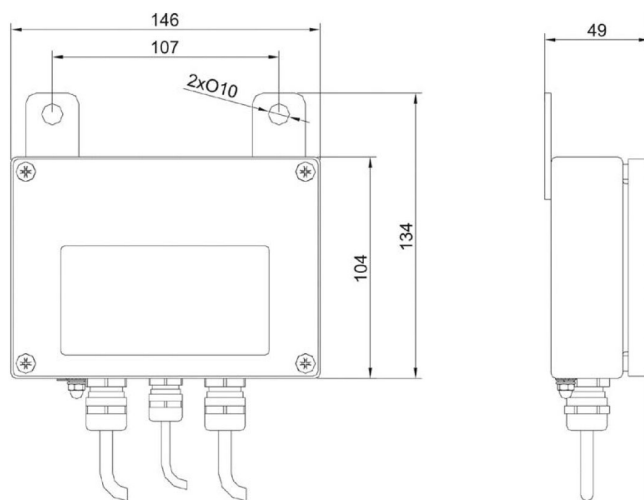
C315 Platform scale
 C315.D Baby Scale
 WLC Precision Balance
 C315.4P2 Beam Scales
 C315.4 Platform Scale
 C315.O Personal Scale
 C315.4P pallet scales
 H315 4C Platform Scale

C315.OV Personal Scale
 WLC C/2 Precision Balance
 Postal Scales for Packages
 PUE C315 Weighing Terminal
 C315.4B Bed Scale
 C315.K Chair Scale
 C315.8B Ramps Bed Scale

Device dimensions



KR-01, KR-04 converter



KR-04-2, KR-04-3 converter