



More information on the website
radwag.com/it/info,w1,KDW

Piattaforma PL/4/600/H7/Z



The drawings, photos and graphics used are for illustrative purposes only.

Foglio di calcolo

Parametri metrologici	
Capacità massima [Max]	600 kg
Accuratezza	200 g
Costruzione	
Punteggio IP	IP 68
Costruzione	Stainless steel AISI304
Materiale da pesata	Stainless steel AISI304
Parametri fisici	
Dimensioni del piatto di pesata	1000×1000 mm
Altezza della piattaforma	88 mm
Dimensioni del pacco	1200×1200×530 mm

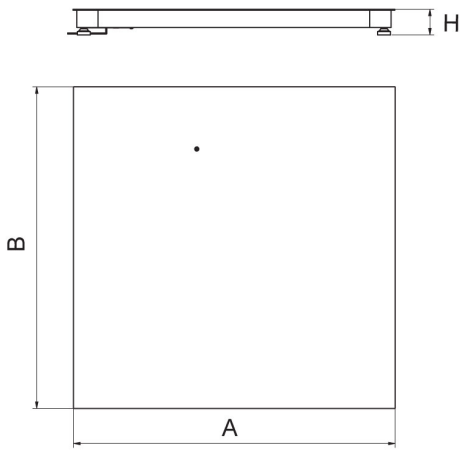


Accessori

Terminale di pesata PUE 5
Terminale di pesata PUE 7.1

Terminale di pesata PUE HX7
Terminale di pesata PUE HY10

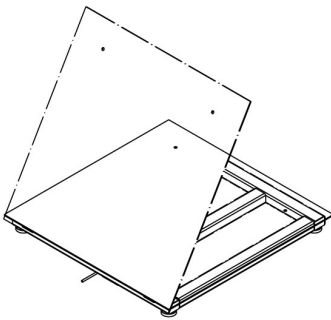
Device dimensions



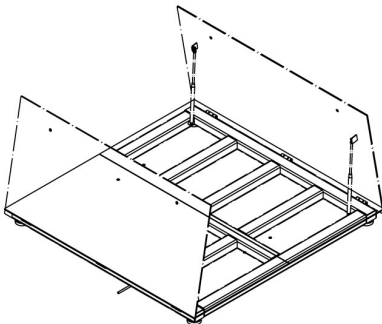
Platform	A	B	H
PLC/4/C6	800	800	120 ±10
PLC/4/C7	1000	1000	120 ±10
PLC/4/C8	1200	1200	120 ±10
PLC/4/C8/9	1200	1500	120 ±10
PLC/4/C9	1500	1500	120 ±10
PLC/4/C10	1500	2000	120 ±10
PLC/4/C11	2000	2000	120 ±10

dimensions in mm

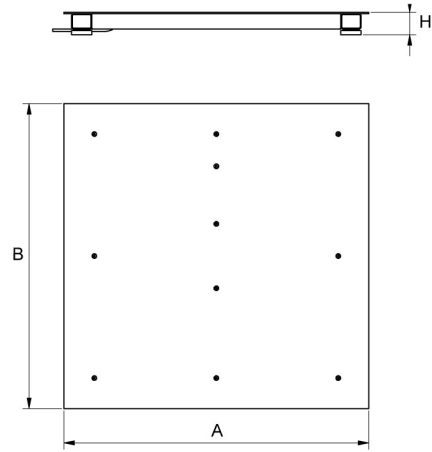
PLC/4/C



PL/4/H6/Z
 PL/4/H7/Z
PL/4/H8/Z



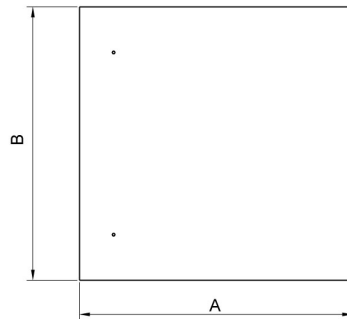
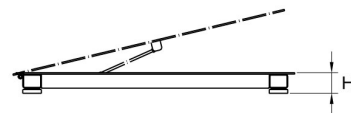
PL/4/H8/9/Z
 PL/4/H9/Z
PL/4/H10/Z



Platform	A	B	H
PL/4/H6	800	800	88 ±2
PL/4/H7	1000	1000	88 ±2
PL/4/H8	1200	1200	88 ±2
PL/4/H8/9	1200	1500	88 ±2
PL/4/H9	1500	1500	88 ±2
PL/4/H10	1500	2000	111 ±2

dimensions in mm

PL/4/H



Platform	A	B	H
PL/4/H6/Z	800	800	88 ±2
PL/4/H7/Z	1000	1000	88 ±2
PL/4/H8/Z	1200	1200	88 ±2
PL/4/H8/9/Z	1200	1500	88 ±2
PL/4/H9/Z	1500	1500	88 ±2
PL/4/H10/Z	1500	2000	111 ±2

dimensions in mm

PL/4/H/Z