



More information on the website
radwag.com/en/info,w1,JWZ

MWMH 100-4 Electromagnetic Compensation Weighing Module



The drawings, photos and graphics used are for illustrative purposes only.

Datasheet

Metrological parameters	
Maximum capacity [Max]	1 kg
Minimum load	2 g
Preload range	6 - 9 kg
Readability [d]	0.1 g
Verification unit [e]	0.1 g
Tare range	-1 kg
Repeatability	0.01 g
Stabilization time	0.1 s
Adjustment	external
OIML Class	III
Sensitivity temperature drift	$2 \times 10^{-6} / ^\circ\text{C} \times \text{Rt}$
Construction	
Protection class	IP 69K
Material	Stainless steel

Communication interface	
Communication interface	RS232, Ethernet, 2×IN / 2×OUT
Electrical parameters	
Power supply	12 ÷ 24 V DC
Power consumption max.	5 W
Environmental conditions	
Operating temperature	+10 ÷ +40 °C
Storage temperature	-20 ÷ +50 °C
Relative humidity	15% ÷ 80%
Physical parameters	
Weighing pan dimensions	212×174 mm
Device dimensions	344×224×166 mm
Packaging dimensions	580×413×360 mm
Net weight	12.4 kg
Gross weight	15 kg



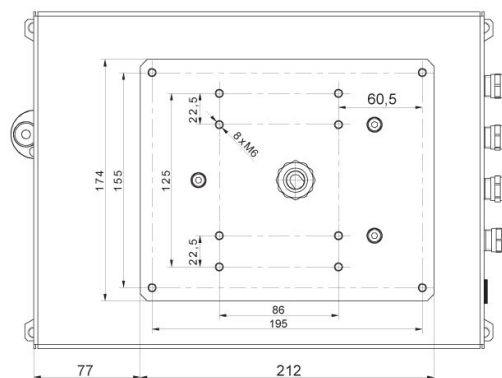
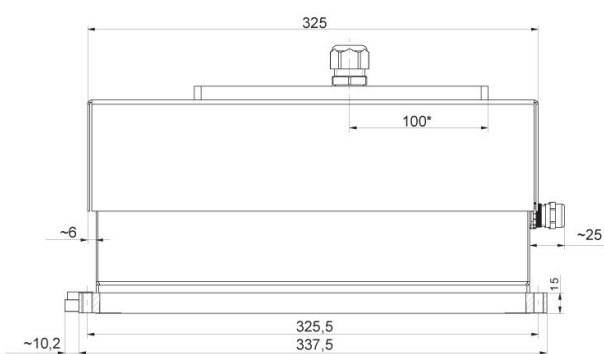
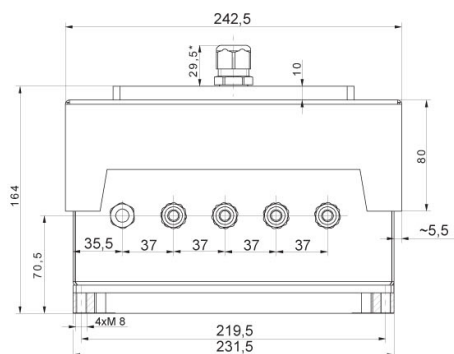
Accessories

RS 232 – USB Converter

Software

- MWMH Manager [WX-010-0103]
- R-Lab [WX-010-0080]
- RADWAG Development Studio [WX-010-0104]
- RAD Key [WX-010-0005]
- Scale Editor 2.1 [WX-010-0173]

Device dimensions



MWMH IP 69K