



More information on the website  
radwag.com/en/info,w1,JEF

# H315.4N.600.H1 Stainless Steel Ramp Scale




The drawings, photos and graphics used are for illustrative purposes only.

## Functions

 Plus/Minus Control

 Percent Weighing


 Totalizing

 Parts counting

 Internal battery

 Peak hold

 Newton unit measurement

 Animal weighing

## Datasheet

### Metrological parameters

|  |         |
|--|---------|
| Maximum capacity [Max]                 | 600 kg  |
| Minimum load                           | 4 kg    |
| Readability [d]                        | 200 g   |
| Tare range                             | -600 kg |
| Max readability for non-verified scale | 50 g    |
| OIML Class                             | III     |

### Physical parameters

|                         |               |
|-------------------------|---------------|
| Display                 | LCD (backlit) |
| Weighing pan dimensions | 840×860 mm    |

| Physical parameters         |   |
|-----------------------------|---|
| Packaging dimensions        | 1250×950×600 mm   |
| Scale mass with indicator   | 105 kg  |
| Cable length                | 3 m   |
| Construction                |   |
| Protection class            | IP 68 construction, IP 68 (1h max)/69 terminal                  |
| Communication interface     |   |
| Communication interface     | RS232, USB  |
| Optional interfaces         | RS232 or RS485 or 4IN/4OUT or Ethernet or analog output 4-20 mA |
| Electrical parameters       |   |
| Power supply                | 100 – 240 V AC 50/60 Hz   |
| Optional power supply       | internal rechargeable battery                                   |
| Operation time on batteries | max 7h  |
| Environmental conditions    |   |
| Operating temperature       | -10 ÷ +40 °C  |
| Relative humidity           | 10% – 85% RH no condensation                                    |



Extra payment for verification



## Accessories

RS 232 cables (scale - printer)  
 Displays  
 RS 232 cables (scale - Ethernet)  
 RS 232, RS 485 cables  
 RS 232 – Ethernet Converter  
 USB adapter

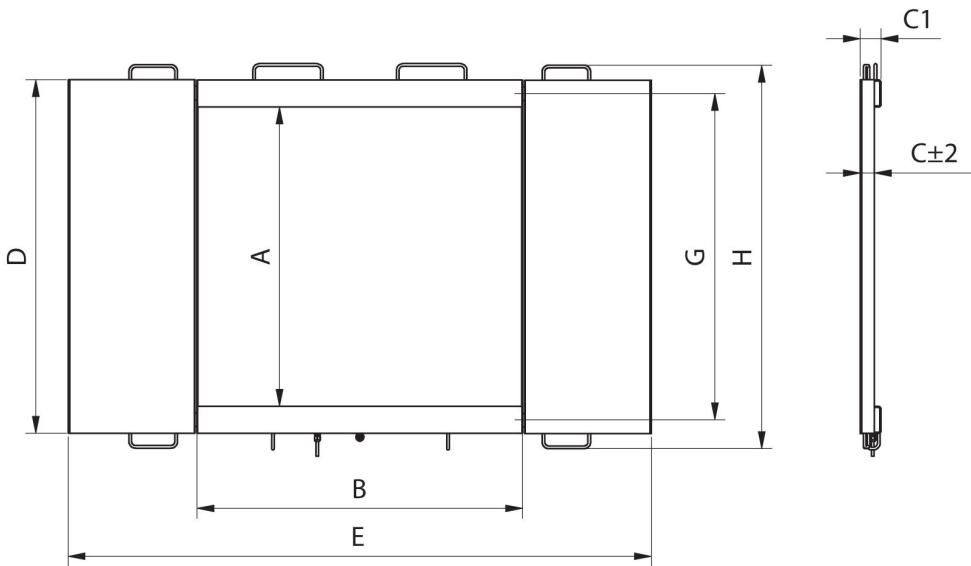
Receipt Printer  
 USB cable (scale - printer)  
 Stands, wall mounting kits and mounting brackets  
 RS 232 – USB Converter  
 RS 232, RS 485 cables

## Software

- RAD Key [WX-010-0005]
- R-Lab [WX-010-0080]

- R-Panel [WX-010-0187]
- Scale Editor 2.1 [WX-010-0173]

## Device dimensions



| Model           | Max     | A    | B    | C    | C1 | D    | E    | F    | G    | H    |
|-----------------|---------|------|------|------|----|------|------|------|------|------|
| H315.4N.150.H1  | 150 kg  | 840  | 860  | 45,5 | 76 | 1040 | 1710 | 778  | 940  | 1170 |
| H315.4N.300.H1  | 300 kg  | 840  | 860  | 45,5 | 76 | 1040 | 1710 | 778  | 940  | 1170 |
| H315.4N.600.H1  | 600 kg  | 840  | 860  | 45,5 | 76 | 1040 | 1710 | 778  | 940  | 1170 |
| H315.4N.150.H2  | 1500 kg | 1100 | 1200 | 45,5 | 76 | 1300 | 2050 | 1118 | 1200 | 1430 |
| H315.4N.300.H2  | 300 kg  | 1100 | 1200 | 45,5 | 76 | 1300 | 2050 | 1118 | 1200 | 1430 |
| H315.4N.600.H2  | 600 kg  | 1100 | 1200 | 45,5 | 76 | 1300 | 2050 | 1118 | 1200 | 1430 |
| H315.4N.1500.H2 | 1500 kg | 1100 | 1200 | 52,5 | 76 | 1300 | 2150 | 1118 | 1200 | 1430 |
| H315.4N.300.H3  | 300 kg  | 1200 | 1500 | 45,5 | 76 | 1400 | 2350 | 1418 | 1300 | 1530 |
| H315.4N.600.H3  | 600 kg  | 1200 | 1500 | 45,5 | 76 | 1400 | 2350 | 1418 | 1300 | 1530 |
| H315.4N.1500.H3 | 1500 kg | 1200 | 1500 | 52,5 | 76 | 1400 | 2450 | 1418 | 1300 | 1530 |
| H315.4N.300.H4  | 300 kg  | 1500 | 1500 | 52,5 | 76 | 1700 | 2450 | 1418 | 1600 | 1830 |
| H315.4N.600.H4  | 600 kg  | 1500 | 1500 | 52,5 | 76 | 1700 | 2450 | 1418 | 1600 | 1830 |
| H315.4N.1500.H4 | 1500 kg | 1500 | 1500 | 52,5 | 76 | 1700 | 2450 | 1418 | 1600 | 1830 |