



More information on the website
radwag.com/ja/info,w1,IWP

IM01.EX-4/3

WX-016-0173



The drawings, photos and graphics used are for illustrative purposes only.

特徴

| | |
|-----------|---|
| 外形寸法 | |
| 設置環境 | IP 66 / 68 (1,5m) |
| 設置場所 | 屋内・屋外 |
| ATEX | II (2)G [Ex ib] IIC Gb II (2)D [Ex ib] IIIC Db |
| 接続機能 | |
| 接続機能 | 2×RS232, USB, 12IN / 12OUT, Ethernet, Profibus DP |
| 電源 | |
| 電圧 | 100 – 240 V AC 50/60 Hz |
| 消費電力 max. | 10 W |
| 動作温度 | |
| 動作温度 | -10 – +40 °C |
| 動作温度 | -20 – +60 °C |
| 湿度 | 10% – 85% RH |

IM01.EX

IM01.EX

222×146×81 mm

IM01

1,9 kg

IM01

2,5 kg



IM01 (Additional Fee)

HX5.EX-1.4P2 H 1-1/2" NPT 1/2" NPT

HX5.EX-1 HR 1/2" NPT 1/2" NPT

RS 232 1/2" (1/2" - 1/2")

HX5.EX-1.4P2 C 1/2" NPT

HX5.EX-1.4N 1/2" NPT

HX5.EX-1.4 C 4 1/2" NPT

HX5.EX-1.4P H 1/2" NPT

HX5.EX-1.4 H/Z 1/2" NPT

HX5.EX-1 C 1-1/2" NPT

HX5.EX-1 H 1/2" NPT

PUE HX5.EX 1/2" NPT

HX5.EX-1.4 H 1/2" NPT 4 1/2" NPT

RS 232/RS 485 1/2" NPT

IN/OUT 1/2" NPT

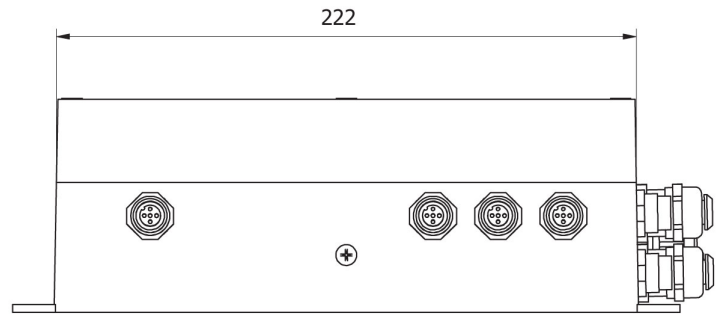
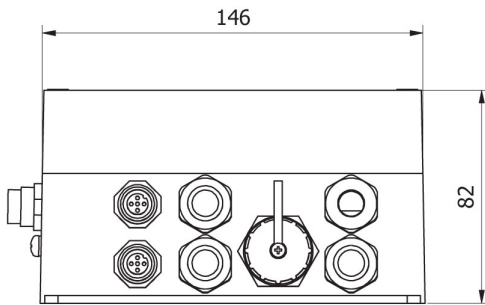
HX5.EX-1.4P C 1/2" NPT

USB 1/2" NPT

USB cable (1/2" - 1/2")

RS 232 - USB 1/2" NPT

IM01



IM01.EX