



More information on the website  
[radwag.com/en/info,w1,ITE](https://radwag.com/en/info,w1,ITE)

## PLC/4/1500/C8/9 Platform



The drawings, photos and graphics used are for illustrative purposes only.

### Datasheet

Metrological parameters	
Maximum capacity [Max]	1500 kg
Readability [d]	500 g
Construction	
Protection class	IP 65
Construction	mild steel St3S
Weighing pan material	mild steel St3S
Physical parameters	
Weighing pan dimensions	1200×1500 mm
Weighing platform height	120 ±10 mm

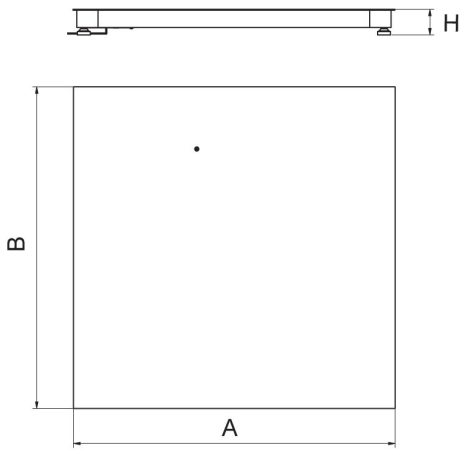


### Accessories

PUE CY10 Weighing Terminal  
CY10 Multifunctional Scale  
PUE 5 Weighing Terminal  
CY10 Precision Balance  
PUE C32 Weighing Terminal

PUE 7.1 Weighing Terminal  
PUE HX7 Weighing Terminal  
PUE C315 Weighing Terminal  
PUE HY10 Weighing Terminal  
PUE H315 Weighing Terminal

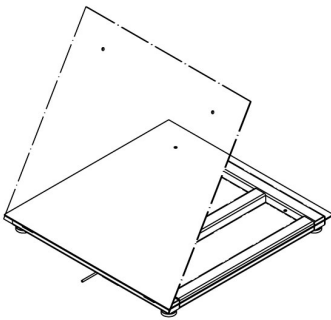
## Device dimensions



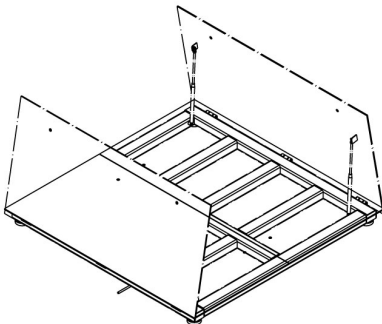
Platform	A	B	H
PLC/4/C6	800	800	120 ±10
PLC/4/C7	1000	1000	120 ±10
PLC/4/C8	1200	1200	120 ±10
PLC/4/C8/9	1200	1500	120 ±10
PLC/4/C9	1500	1500	120 ±10
PLC/4/C10	1500	2000	120 ±10
PLC/4/C11	2000	2000	120 ±10

dimensions in mm

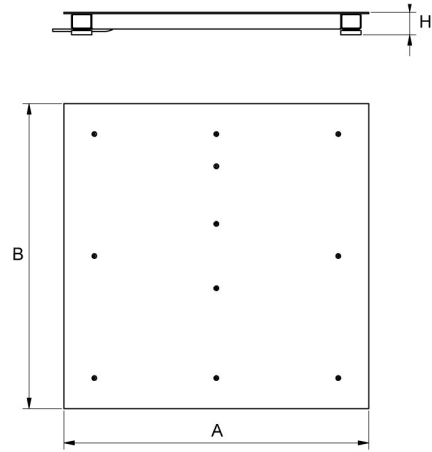
PLC/4/C



PL/4/H6/Z  
 PL/4/H7/Z  
PL/4/H8/Z



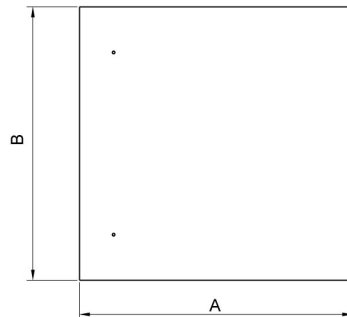
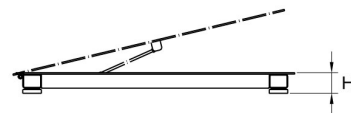
PL/4/H8/9/Z  
 PL/4/H9/Z  
PL/4/H10/Z



Platform	A	B	H
PL/4/H6	800	800	88 ±2
PL/4/H7	1000	1000	88 ±2
PL/4/H8	1200	1200	88 ±2
PL/4/H8/9	1200	1500	88 ±2
PL/4/H9	1500	1500	88 ±2
PL/4/H10	1500	2000	111 ±2

dimensions in mm

PL/4/H



Platform	A	B	H
PL/4/H6/Z	800	800	88 ±2
PL/4/H7/Z	1000	1000	88 ±2
PL/4/H8/Z	1200	1200	88 ±2
PL/4/H8/9/Z	1200	1500	88 ±2
PL/4/H9/Z	1500	1500	88 ±2
PL/4/H10/Z	1500	2000	111 ±2

dimensions in mm

PL/4/H/Z