



More information on the website
radwag.com/en/info,w1,HWB

Ramp for C9 3000kg Scale



The drawings, photos and graphics used are for illustrative purposes only.

Datasheet

| Construction | |
|---------------------|--------------|
| Material | mild steel |
| Physical parameters | |
| Platform size | 1500×1460 mm |



Compatible with

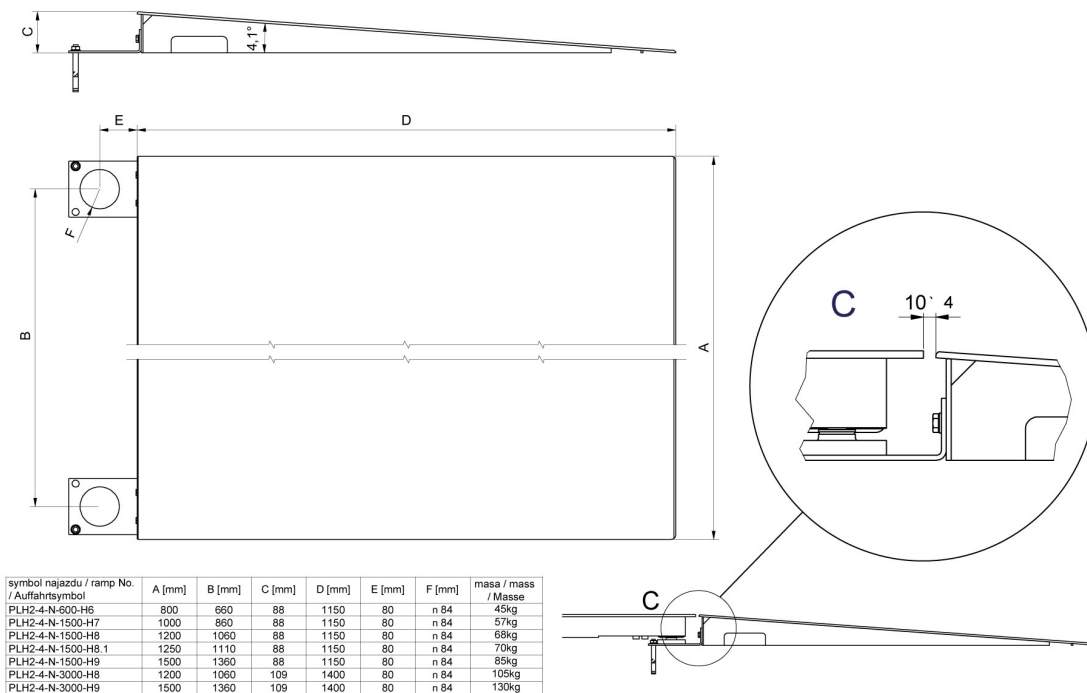
HX7.4C Multifunctional Platform Scale
C315.4 Platform Scale

H315 4C Platform Scale

Device dimensions



Ramps made of powder-coated steel



Ramps made of stainless steel