



More information on the website
radwag.com/en/info,w1,HQZ

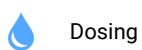
HX7.4N.1500.H3.LD Multifunctional Stainless Steel Ramp Scale

WP-227-0023



The drawings, photos and graphics used are for illustrative purposes only.

Functions



Dosing



Percent Weighing



Parts counting



Formulation



Replaceable unit



ALIBI Memory

Datasheet

Metrological parameters	
Maximum capacity [Max]	1500 kg
Minimum load	10 kg
Readability [d]	500 g
Verification unit [e]	500 g
Tare range	-1500 kg
Max readability for non-verified scale	200 g
OIML Class	III

Physical parameters	
Display	7" graphic colour
Cable length	3 m
Weighing pan dimensions	1200×1500 mm
Packaging dimensions W x D x H	1740×1890×580 mm
Net weight	240 kg
Gross weight	400 kg
Construction	
Protection class	IP 66 / 69 construction, IP 66 / 67 terminal
Keypad	membrane
Construction	Stainless steel AISI304
Communication interface	
Communication interface	RS232, USB-A, 4IN, 4OUT, Ethernet, Modbus TCP/IP
Optional interfaces	USB (M12 4P), RS485, RS232, Profibus (Dp SLAVE), PROFINET (RJ45), EtherNet/IP (RJ45), 12 IN / 12 OUT, 4-20mA, 0-10V
Electrical parameters	
Power supply	100 – 240 V AC 50/60 Hz
Power consumption max.	25 W
Optional power supply	12 – 24 V DC
Environmental conditions	
Operating temperature	-10 – +40 °C
Storage temperature	-10 – +50 °C
Relative humidity	10% – 80% RH no condensation
Indicator	PUE HX7
Number of buttons	22
Features of use	
Max number of platforms	2



Additional fee for verification



Accessories (Additional Fee)

RS 232 cables (scale - printer)
 RS 232 cables (scale - ZEBRA printer)
 Displays
 Power Adapters
 RS 232, RS 485 cables
 USB cable (scale - printer)
 IN/OUT Cables
 Barcode scanners

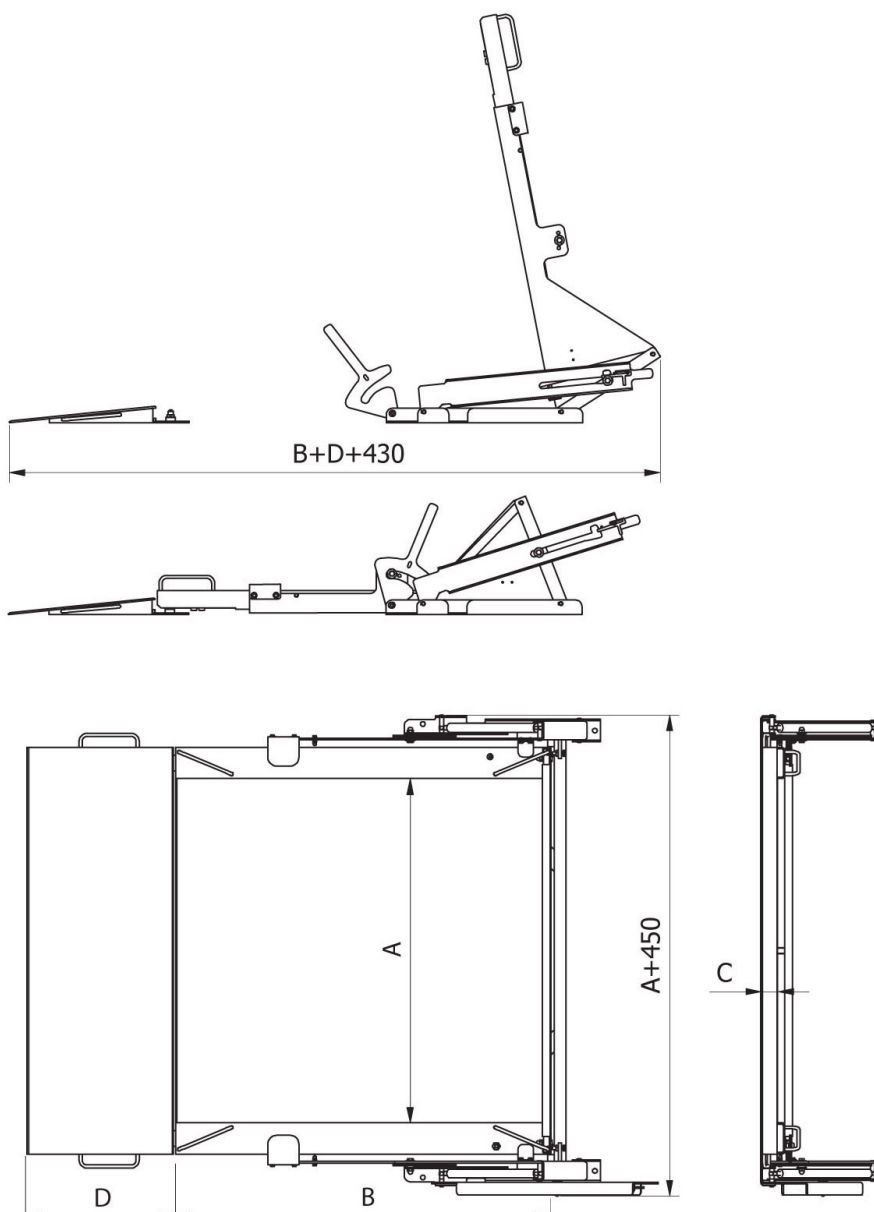
Label Printers
 Stands, wall mounting kits and mounting brackets
 Keypad, external switches
 USB adapter
 Receipt Printer
 Additional Weighing platforms Module
 RS 232 – USB Converter
 Additional modules

Software (Additional Fee)

- E2R Weighing [WX-010-0099]
- Label Editor R02 [WX-010-0094]
- R-Lab [WX-010-0080]

- RAD Key [WX-010-0005]
- Alibi Reader [WX-010-0114]
- Scale Editor 2.1 [WX-010-0173]

Device dimensions W x D x H



	A [mm]	B [mm]	C [mm]	D [mm]
HX7.4N.150.H1.LD	840	860	45	426
HX7.4N.300.H1.LD	840	860	45	426
HX7.4N.600.H1.LD	840	860	45	426
HX7.4N.150.H2.LD	1100	1200	45	426
HX7.4N.300.H2.LD	1100	1200	45	426
HX7.4N.600.H2.LD	1100	1200	45	426
HX7.4N.300.H3.LD	1200	1500	45	426
HX7.4N.600.H3.LD	1200	1500	45	426
HX7.4N.1500.H2.LD	1100	1200	52	476
HX7.4N.1500.H3.LD	1200	1500	52	476
HX7.4N.300.H4.LD	1500	1500	52	476
HX7.4N.600.H4.LD	1500	1500	52	476
HX7.4N.1500.H4.LD	1500	1500	52	476