



More information on the website
radwag.com/us/info,w1,GW5

RMC 2.5Y.F Robotic Weighing System



The drawings, photos and graphics used are for illustrative purposes only.

Datasheet

Maximum capacity [Max]	2,1 g
Readability [d]	1 µg
Verification unit [e]	1 mg
Tare range	-2,1 g
Repeatability (Max)	1 - 2 µg
Repeatability (5% Max)	0,5 µg
Linearity	≤ 1,5 µg
Stabilization time	10 - 20 s
Adjustment	internal
OIML Class	I
Physical parameters	
Display	10" graphic colour touchscreen
Device dimensions	2108×1067×1595 mm
Net weight	400 kg
Gross weight	500 kg

Features of use	
Touch-free operation	2 IR Sensors
Communication interface	2×USB-A, USB-C, HDMI, Ethernet, Wi-Fi, Hotspot
Power supply	110 – 240 V AC 50/60 Hz
Operating temperature	+10 ÷ +40 °C
Storage temperature	-20 ÷ +50 °C
Operating temperature change rate	±0,3°C/1h (±1°C/8h)
Relative humidity	30% ÷ 70%
Relative humidity change rate	±1%/h (±4%/8h)
Construction	
Keypad	8 buttons

* Wi-Fi® is a registered trademark of Wi-Fi® Alliance.



Accessories

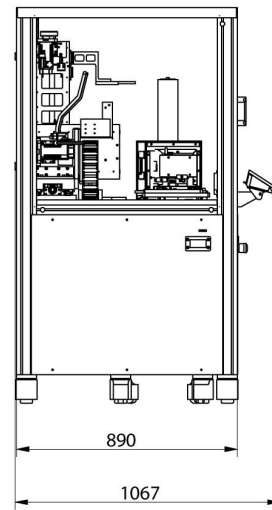
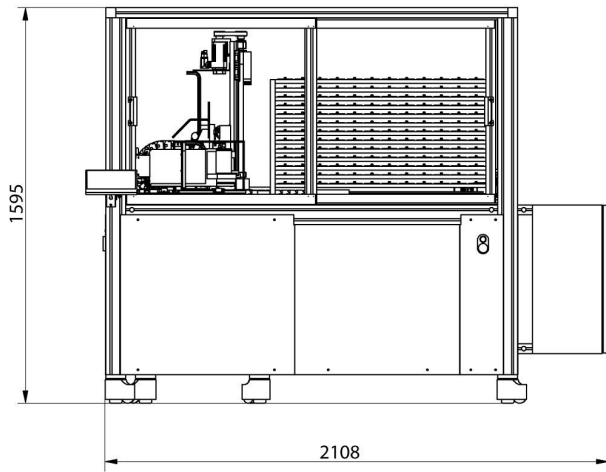
RFID Tags
 Additional modules
 Protective cover for balances

RS 232, RS 485 cables
 Receipt Printer
 Fingerprint Reader

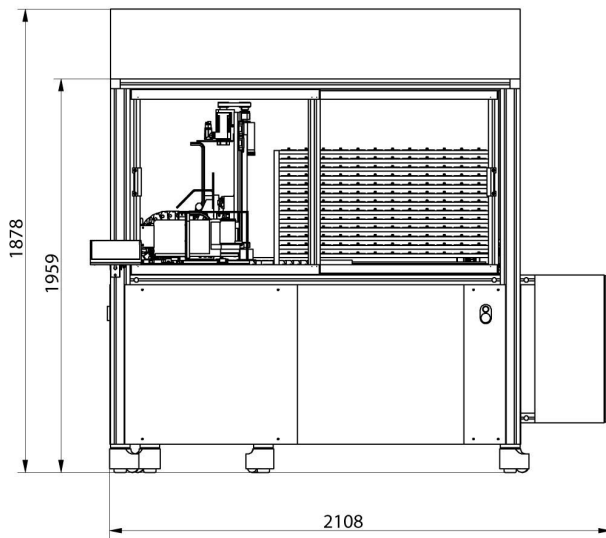
Software

• Scale Editor - EWAG 2.1 [WX-010-0173]

Device dimensions



RMC 2.4Y.F



RMC 2.4Y.FC