



More information on the website
radwag.com/us/info,w1,GNN

WAY 5.5Y.KO Mass Comparator



The drawings, photos and graphics used are for illustrative purposes only.

Datasheet

E1	2 kg ÷ 5 kg
E2	500 g ÷ 5 kg
F1	200 g ÷ 5 kg
F2	20 g ÷ 5 kg
M1	1 g ÷ 5 kg
M2	1 g ÷ 5 kg
Maximum capacity [Max]	5,05 kg
Readability [d]	0,1 mg
Standard repeatability [5% Max]	0,15 mg
Standard repeatability [Max]	0,2 mg
Permissible repeatability	0,35 mg
Eccentricity (tested load)	0 mg*
Electric compensation range	-10 g ÷ +50 g
Stabilization time	20 s
Adjustment	internal

Physical parameters	
Display	10" graphic colour touchscreen
Weighing pan dimensions	ø90 mm
Weighing device dimensions	385×217×545 mm
Controlling device dimensions	249×170×72 mm
Anti-draft chamber dimensions	560×340×570 mm
Packaging dimensions	945×820×1260 mm
Chamber packaging size	820×850×630 mm
Net weight	39 kg
Gross weight	59 kg
Supplementary weights internal	automatic
Supplementary weights external	500 g, 300 g, 100 g, 50 g, 30 g, 2× 10 g
Communication interface	2×USB-A, USB-C, HDMI, Ethernet, Wi-Fi, Hotspot
Operating temperature	+15 ÷ +30 °C
Operating temperature change rate	±0,5°C/12h (±0,3°C/4h)
Relative humidity	40% ÷ 60%
Relative humidity change rate	±5%/4h

* Wi-Fi® is a registered trademark of Wi-Fi® Alliance.



Accessories

RFID Tags
 Antivibration tables
 Additional modules
 Protective cover for balances
 Barcode scanners
 RS 232, RS 485 cables
 Label Printers

THBR 2.0 System - Ambient Conditions Monitoring
 Receipt Printer
 Suspended Self-Centring Weighing Pan for WAY 5Y.KO Manual Mass Comparator
 Fingerprint Reader
 RS 232, RS 485 cables
 RS 232 cables (scale - printer)

Software

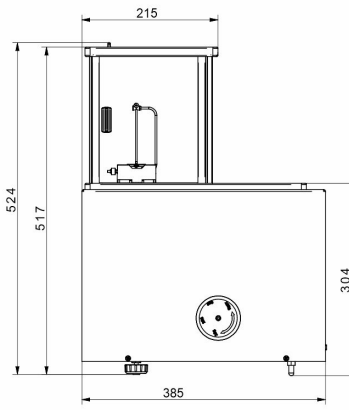
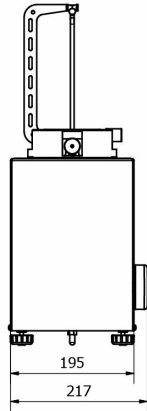
• RAD Key [WX-010-0005]
 • RMCS System Network Management of Calibration Process [WX-010-0048]

• RMCS Lite [WX-010-0164]

Device dimensions



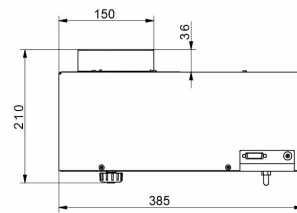
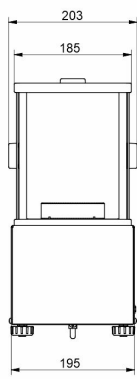
WAY 5.5Y.KO



WAY 100.5Y.KO



WAY 1200.5Y.KO



WAY 5100.5Y.KO

