



More information on the website  
radwag.com/en/info,w1,GAT

# HX7.6/15.HR2 Multifunctional Scale



The drawings, photos and graphics used are for illustrative purposes only.

## Functions



Dosing



Percent Weighing



Parts counting



Formulation



Replaceable unit



ALIBI Memory

## Datasheet

### Metrological parameters

Maximum capacity [Max]	6 / 15 kg
Minimum load	40 / 100 g
Readability [d]	0.2 / 0.5 g
Verification unit [e]	2 / 5 g
Tare range	-6 / -15 kg
OIML Class	III

### Physical parameters

Display	7" graphic colour
Weighing pan dimensions	250×300 mm

Physical parameters	
Packaging dimensions	370×560×490 mm
Net weight	10.7 kg
Gross weight	13.2 kg
Construction	
Protection class	IP 68 construction, IP 66 / 68 terminal
Keypad	membrane
Construction	Stainless steel AISI316
Weighing pan material	Stainless steel AISI316
Communication interface	
Communication interface	RS232, USB-A, 4IN, 4OUT, Ethernet, Modbus RTU
Optional interfaces	USB (M12 4P), Ethernet, module RS485, module RS232, module Profibus (Dp SLAVE), PROFINET (RRJ45), EtherNet/IP (RRJ45), 12 IN, 12 OUT, 4-20mA, 0-10V
Electrical parameters	
Power supply	100 – 240 V AC 50/60 Hz
Power consumption max.	25 W
Optional power supply	12 – 24 V DC
Environmental conditions	
Operating temperature	-10 – +40 °C
Storage temperature	-10 – +50 °C
Relative humidity	10% – 80% RH no condensation
Indicator	PUE HX7
Number of buttons	22
Features of use	
Max number of platforms	2



Extra payment for verification



## Accessories

RS 232 cables (scale - printer)  
 Roller Table  
 RS 232 cables (scale - ZEBRA printer)  
 Displays  
 Power Adapters  
 RS 232, RS 485 cables  
 USB cable (scale - printer)  
 IN/OUT Cables  
 Barcode scanners

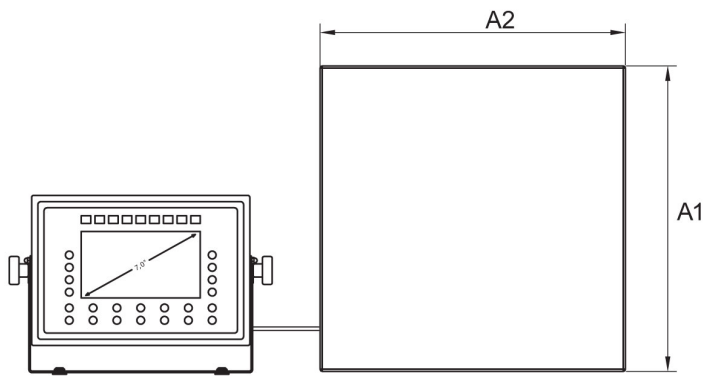
Label Printers  
 Stands, wall mounting kits and mounting brackets  
 Keypad, external switches  
 USB adapter  
 Receipt Printer  
 Additional Weighing platforms Module  
 RS 232 – USB Converter  
 Additional modules

## Software

- E2R Weighing [WX-010-0099]
- RAD Key [WX-010-0005]
- Alibi Reader [WX-010-0114]
- Scale Editor 2.1 [WX-010-0173]

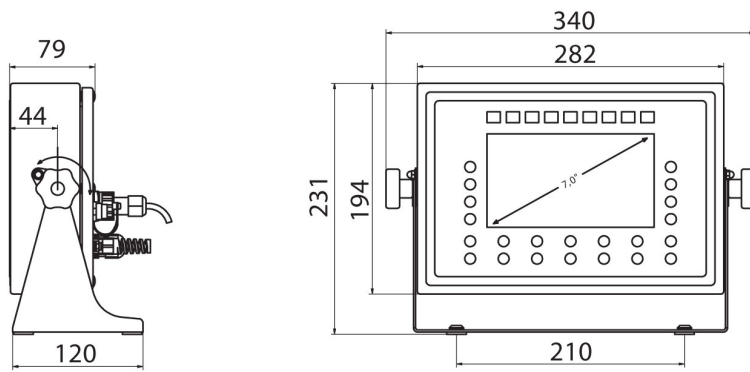
- E2R Weighing Records [WX-010-0038]
- Label Editor R02 [WX-010-0094]
- R-Lab [WX-010-0080]
- RADWAG Development Studio [WX-010-0104]

# Device dimensions



	A1	A2	B
HX7.HR2	250	300	103±3
HX7.HR3	410	410	98±2
HX7.HR4	500	500	155±5
HX7.HR3/5	400	600	155±5
HX7.HR5	600	600	155±5

HR Platform



PUE HX7