



More information on the website
radwag.com/en/info,w1,G38

Ramp for C11 6000kg Scale



The drawings, photos and graphics used are for illustrative purposes only.

Datasheet

Construction	
Material	mild steel
Physical parameters	
Platform size	2000×1995 mm

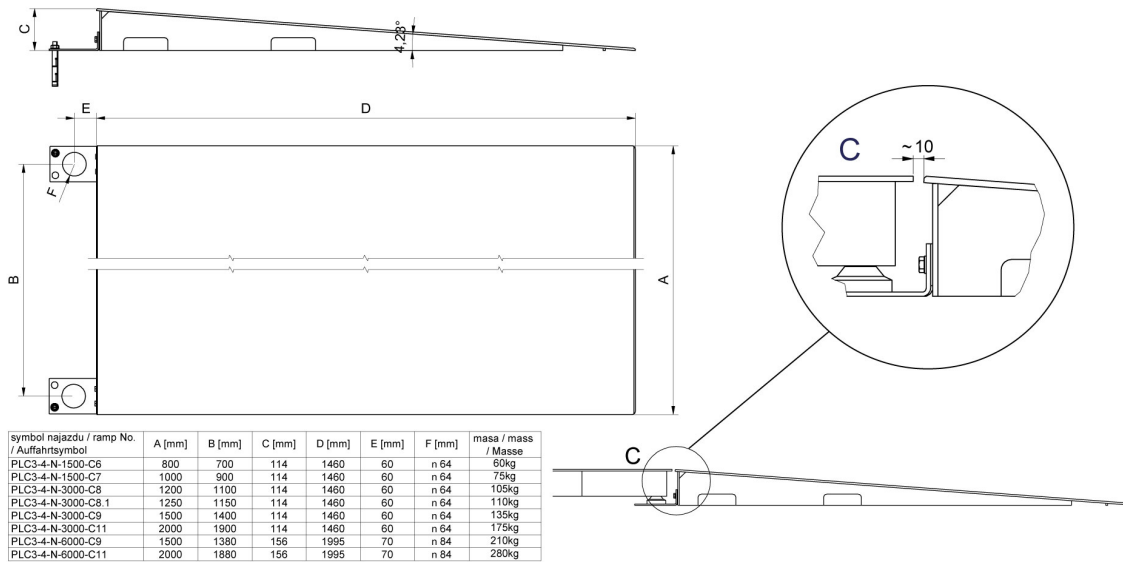


Compatible with

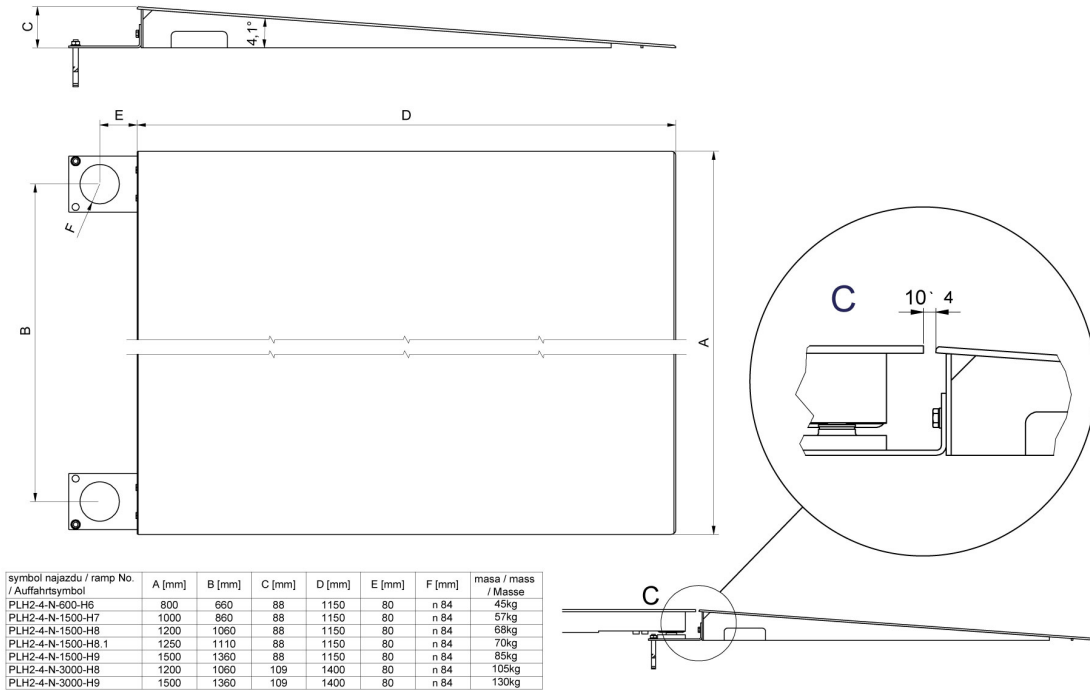
HX7.4C Multifunctional Platform Scale
C315.4 Platform Scale

H315 4C Platform Scale

Device dimensions



Ramps made of powder-coated steel



Ramps made of stainless steel