



More information on the website
radwag.com/ja/info,w1,G02

IM01.EX-9/2

WX-016-0187



The drawings, photos and graphics used are for illustrative purposes only.

特徴

寸法	
保護等級	IP 66 / 68 (1,5m)
防爆等級	Ex ib
ATEX	II (2)G [Ex ib] IIC Gb II (2)D [Ex ib] IIIC Db
接続ポート	
通信機能	2×RS232, USB, 4IN / 4OUT, Ethernet IP, 電流 4-20 mA / 0-10 V
電源	
電圧	100 – 240 V AC 50/60 Hz
消費電力 max.	10 W
動作温度	
標準	-10 – +40 °C
拡張	-20 – +60 °C
湿度	10% – 85% RH

IM01.EX

IM01.EX

222×146×81 mm

IM01

1,9 kg

IM01

2,5 kg



IM01 (Additional Fee)

HX5.EX-1.4P2 H 1-1/2" NPT 1/2" NPT

HX5.EX-1 HR 1/2" NPT 1/2" NPT

RS 232 1/2" NPT (1/2" - 1/2")

HX5.EX-1.4P2 C 1/2" NPT

HX5.EX-1.4N 1/2" NPT

HX5.EX-1.4 C 4 1/2" NPT

HX5.EX-1.4P H 1/2" NPT

HX5.EX-1.4 H/Z 1/2" NPT

HX5.EX-1 C 1-1/2" NPT

HX5.EX-1 H 1/2" NPT

PUE HX5.EX 1/2" NPT

HX5.EX-1.4 H 1/2" NPT 4 1/2" NPT

RS 232/RS 485 1/2" NPT

IN/OUT 1/2" NPT

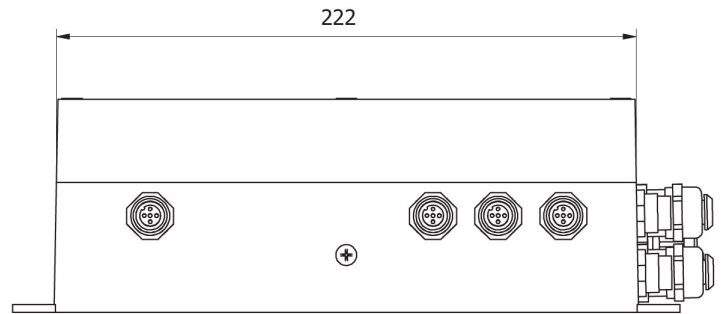
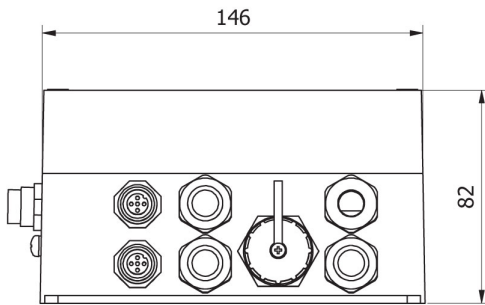
HX5.EX-1.4P C 1/2" NPT

USB 1/2" NPT

USB cable (1/2" - 1/2")

RS 232 - USB 1/2" NPT

IM01



IM01.EX