



More information on the website  
radwag.com/en/info,w1,FQS

# H315.4.3000/6000.H10/Z Stainless Steel Platform Scale, Pit Version

WP-233-1013



The drawings, photos and graphics used are for illustrative purposes only.

## Functions

 Plus/Minus Control

 Percent Weighing

 Totalizing

 Parts counting

 Internal battery

 Peak hold

 Newton unit measurement

 Animal weighing

## Datasheet

| Metrological parameters |                    |
|-------------------------|--------------------|
| Maximum capacity [Max]  | 3000 / 6000 kg     |
| Minimum load            | 20 kg              |
| Readability [d]         | 1 / 2 kg           |
| Verification unit [e]   | 1 / 2 kg           |
| Tare range              | -6000 kg           |
| OIML Class              | III                |
| Physical parameters     |                    |
| Display                 | 4.3" LCD (backlit) |

| Physical parameters                 |   |
|-------------------------------------|---|
| Cable length                        | 3 m   |
| Weighing pan dimensions             | 1500×2000 mm  |
| Weighing platform height            | 166 mm  |
| Scale mass with indicator and frame | 325 kg  |
| Construction                        |   |
| Protection class                    | IP 66 / 69 construction, IP 66 / 67 / 69 terminal               |
| Communication interface             |   |
| Communication interface             | RS232, USB  |
| Optional interfaces                 | RS232 or RS485 or 4IN/4OUT or Ethernet or analog output 4-20 mA |
| Electrical parameters               |   |
| Power supply                        | 100 – 240 V AC 50/60 Hz   |
| Optional power supply               | internal rechargeable battery                                   |
| Operation time on batteries         | max 7h  |
| Environmental conditions            |   |
| Operating temperature               | -10 – +40 °C  |
| Relative humidity                   | 10% – 85% RH no condensation                                    |



Additional fee for verification



## Accessories (Additional Fee)

AP2-4 Current Loop Unit  
 RS 232 cables (scale - printer)  
 Displays  
 Ethernet cables (scale - Ethernet)  
 RS 232, RS 485 cables  
 Power Adapters

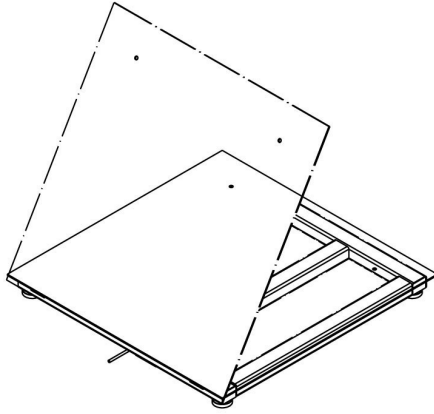
RS 232 – Ethernet Converter  
 USB adapter  
 Receipt Printer  
 USB cable (scale - printer)  
 Stands, wall mounting kits and mounting brackets  
 RS 232 – USB Converter

## Software (Additional Fee)

• RAD Key [WX-010-0005]  
 • Scale Editor 2.1 [WX-010-0173]

• R-Lab [WX-010-0080]

# Device dimensions W x D x H



Single-leaf platform:  
 H315.4.H6/Z  
 H315.4.H7/Z  
 H315.4.H8/Z



Double-leaf platform:  
 H315.4.H8/9/Z  
 H315.4.H9/Z  
 H315.4.H10/Z



| Scale type             | A    | B    | H      |
|------------------------|------|------|--------|
| H315.4.150-600.H6/Z    | 800  | 800  | 88±2   |
| H315.4.150-1500.H7/Z   | 1000 | 1000 | 88±2   |
| H315.4.300-1500.H8/Z   | 1200 | 1200 | 88 ±2  |
| H315.4.3000.H8/Z       | 1200 | 1200 | 111 ±2 |
| H315.4.300-1500.H8/9/Z | 1200 | 1500 | 88 ±2  |
| H315.4.3000.H8/9/Z     | 1200 | 1500 | 111 ±2 |
| H315.4.300-1500.H9/Z   | 1500 | 1500 | 88 ±2  |
| H315.4.3000-6000.H9/Z  | 1500 | 1500 | 111 ±2 |
| H315.4.600-6000.H10/Z  | 1500 | 2000 | 111 ±2 |

dimensions in mm