



More information on the website
radwag.com/us/info,w1,FOM

MAS.1.82/220.R Weighing Module



The drawings, photos and graphics used are for illustrative purposes only.

Datasheet

Maximum capacity [Max]	82 / 220 g
Minimum load	1 mg
Preload range	8,2 g
Readability [d]	0,01 / 0,1 mg
Tare range	-220 g
Minimum weight (USP)	40 mg
Minimum weight (U=1%,k=2)	4 mg
Repeatability (Max)	0,1 mg
Repeatability (5% Max)	0,02 mg
Linearity	±0,06 / 0,2 mg
Stabilization time	6 / 2 s
Physical parameters	
Display	LCD (backlit)
Weighing pan dimensions	ø42 mm
Device dimensions	289×143×125 mm

Physical parameters	
Packaging dimensions	650×340×315 mm
Net weight	4,7 kg
Gross weight	6,7 kg
Construction	
Protection class	IP 54
Communication interface	RS232
Power supply	100 – 240 V AC 50/60 Hz
Operating temperature	+10 – +40 °C
Relative humidity	40% – 80%



Accessories

RS 232 cables (scale - printer)
 Antivibration tables
 RS 232, RS 485 cables

Professional Weighing Tables
 RS 232 – USB Converter
 RS 232, RS 485 cables

Software

- RAD Key [WX-010-0005]
- RADWAG Development Studio [WX-010-0104]

- R Panel [WX-010-0187]

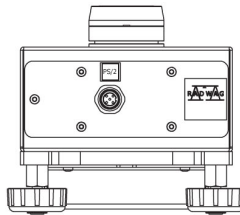
Device dimensions



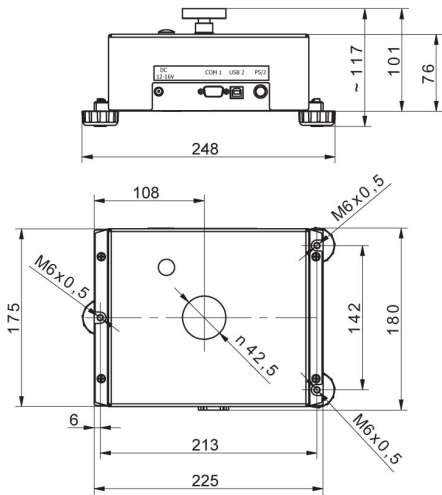
MAS.1
MAS.1.R



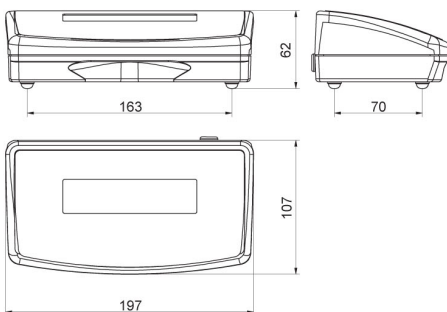
MAS.1



MAS.1.Y



MAS



R operator panel



Y operator panel