



More information on the website  
[radwag.com/en/info,w1,FOM](http://radwag.com/en/info,w1,FOM)

# MAS.1.82/220.R Weighing Module



The drawings, photos and graphics used are for illustrative purposes only.

## Datasheet

Metrological parameters	
Maximum capacity [Max]	82 / 220 g
Minimum load	1 mg
Preload range	8.2 g
Readability [d]	0.01 / 0.1 mg
Tare range	-220 g
Minimum weight (USP)	40 mg
Minimum weight (U=1%,k=2)	4 mg
Repeatability (Max)	0.1 mg
Repeatability (5% Max)	0.02 mg
Linearity	±0.06 / 0.2 mg
Stabilization time	6 / 2 s
Physical parameters	
Display	LCD (backlit)
Weighing pan dimensions	ø42 mm
Device dimensions	289×143×125 mm

Physical parameters	
Packaging dimensions	650×340×315 mm
Net weight	4.7 kg
Gross weight	6.7 kg
Construction	
Protection class	IP 54
Communication interface	
Communication interface	RS232
Electrical parameters	
Power supply	100 – 240 V AC 50/60 Hz
Environmental conditions	
Operating temperature	+10 ÷ +40 °C
Relative humidity	40% ÷ 80%



## Accessories

RS 232 cables (scale - printer)  
 Antivibration Tables  
 RS 232, RS 485 cables

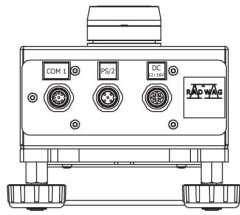
Professional Weighing Tables  
 RS 232 – USB Converter  
 RS 232, RS 485 cables

## Software

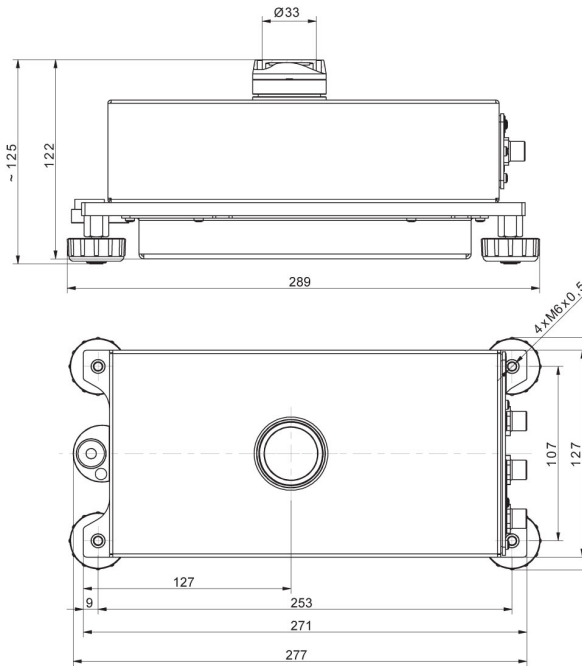
- RAD Key [WX-010-0005]
- R-Lab [WX-010-0080]

- R-Panel [WX-010-0187]
- RADWAG Development Studio [WX-010-0104]

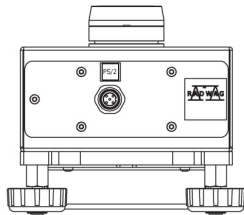
## Device dimensions



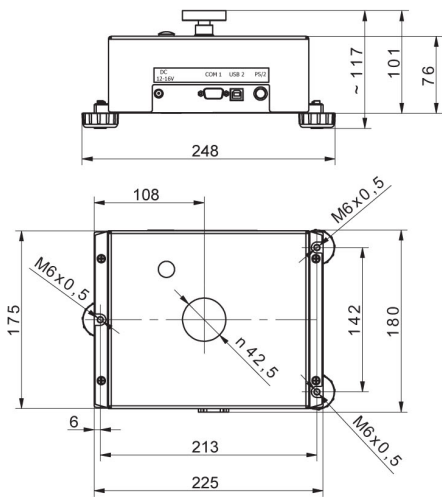
MAS.1  
MAS.1.R



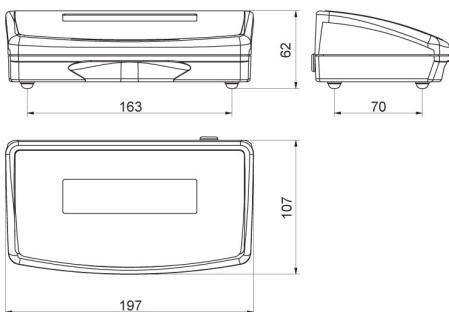
MAS.1



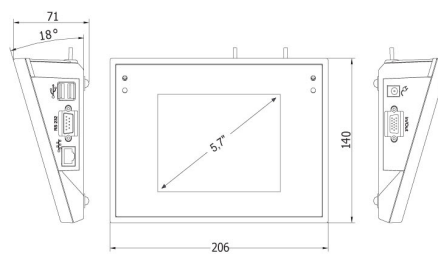
MAS.1.Y



MAS



R operator panel



Y operator panel