



More information on the website  
[radwag.com/en/info,w1,FLZ](http://radwag.com/en/info,w1,FLZ)

# HY10.6.H2.K Multifunctional Scale



The drawings, photos and graphics used are for illustrative purposes only.

## Functions

-  Dosing
-  Labelling
-  Plus/Minus Control
-  Percent Weighing
-  Totalizing
-  Parts counting
-  Peak hold
-  Formulation
-  Newton unit measurement
-  Statistics
-  Checkweighing
-  GLP Procedures
-  Animal weighing
-  Differential weighing
-  Replaceable unit
-  Statistical Quality Control
-  ALIBI Memory
-  Transactions

## Datasheet

Metrological parameters	
Maximum capacity [Max]	6 kg
Minimum load	40 g
Readability [d]	2 g
Verification unit [e]	2 g

Metrological parameters	
Tare range	-6 kg
Max readability for non-verified scale	0.2 g
Adjustment	external
OIML Class	III
Physical parameters	
Display	10" graphic colour touchscreen
Weighing pan dimensions	250×300 mm
Packaging dimensions	350×560×500 mm
Net weight	10 kg
Gross weight	11.5 kg
Cable length	1.5 m
Construction	
Protection class	IP 68 construction, IP 68 (1h max)/69 indicator
Communication interface	
Communication interface	2×RS232, 2×USB-A, Ethernet, 4 IN / 4 OUT (digital)
Optional interfaces	module Wi-Fi 802.11 b/g/n, module Profibus (DP SLAVE), module RS485, module PROFINET (RJ45), analog output module (4-20mA, 0-20mA, 0-10V) , 12IN / 12OUT (IN – 5-24 VDC, OUT – max 30 VDC, 0.5 ADC)
Electrical parameters	
Power supply	100 – 240 V AC 50/60 Hz
Environmental conditions	
Operating temperature	-10 ÷ +40 °C
Relative humidity	10% ÷ 85% RH no condensation

\* Wi-Fi® is a registered trademark of Wi-Fi® Alliance.



Extra payment for verification



## Accessories

RS 232 cables (scale - printer)

Roller Table

Transponder card readers

RS 232 cables (scale - ZEBRA printer)

RS 232 cables (scale - Ethernet)

Displays

RS 232, RS 485 cables

IN/OUT Cables

Barcode scanners

Label Printers

Stands, wall mounting kits and mounting brackets

Keypad, external switches

Receipt Printer

F1 Mass Standard - knob weights without adjustment chamber, set

USB cable (scale - printer)

Additional Weighing platforms Module

Additional modules

RS 232 – USB Converter

## Software

• E2R Weighing [WX-010-0099]

• E2R PGC [WX-010-0051]

• RAD Key [WX-010-0005]

• E2R Formulations [WX-010-0043]

• E2R Weighing Records [WX-010-0038]

• Audit Trail Reader [WX-010-0186]

- Label Editor R02 [WX-010-0094]
- R-Lab [WX-010-0080]
- RADWAG Development Studio [WX-010-0104]

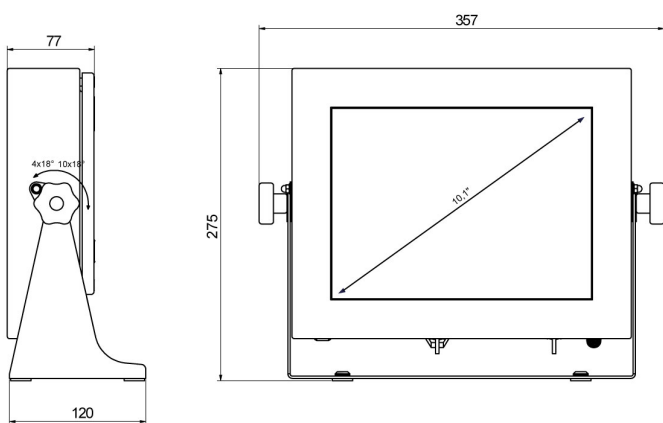
- RADWAG Remote Desktop [WX-010-0107]
- Scale Editor 2.1 [WX-010-0173]

## Device dimensions



Scale type	A1	A2	B
HY10 H1.K	200	150	85 ±3
HY10 H2.K	250	300	103 ±3
HY10 H3.K	410	410	98 ±2
HY10 H4.K	500	500	155 ±5
HY10 H5.K	600	600	155 ±5
HY10 H6.K	800	800	135 ±5

dimensions in mm



PUE HY10