



More information on the website  
[radwag.com/us/info,w1,EVT](http://radwag.com/us/info,w1,EVT)

# PS 3500.R1.M Precision Balance



The drawings, photos and graphics used are for illustrative purposes only.

## Functions



Autotest



Dosing



Percent Weighing



Totalizing



Parts counting



Peak hold



Newton unit measurement



Statistics



Checkweighing



GLP Procedures



Animal weighing



Density determination

## Datasheet

Maximum capacity [Max]	3500 g
Minimum load	500 mg
Readability [d]	0,01 g
Tare range	-3500 g
Repeatability (Max)	0,008 g
Repeatability (5% Max)	0,005 g
Linearity	±0,02 g
Stabilization time	1,5 s

Adjustment	external
Sensitivity temperature drift	$2 \times 10^{-6} / ^\circ\text{C} \times \text{Rt}$
<b>Physical parameters</b>	
Leveling system	manual
Display	LCD (backlit)
Delivery components	Balance, weighing pan, weighing pan shield, power supply
Weighing pan dimensions	195×195 mm
Packaging dimensions	475×380×345 mm
Net weight	3,6 kg
Gross weight	5,1 kg
<b>Construction</b>	
Protection class	IP 43
<b>Communication interface</b>	
Communication interface	2×RS232 <sup>1</sup> , USB-A, USB-B, Wi-Fi (option)
<b>Power supply</b>	
Power supply	Adapter: 100 – 240V AC 50/60Hz 0,6A; 12V DC 1,2A Balance: 12 – 15V DC 0,4A max
Power consumption	4 W
<b>Operating temperature</b>	
Operating temperature	+10 ÷ +40 °C
<b>Relative humidity</b>	
Relative humidity	40% ÷ 80%

\* Wi-Fi® is a registered trademark of Wi-Fi® Alliance.



## Accessories

!Balance Storage Case  
 Antivibration tables  
 Power Adapters  
 Cigarette lighter receptacle power supply cables  
 USB cable (scale - printer)  
 Barcode scanners  
 RS 232, RS 485 cables

Displays  
 Density determination KIT  
 Receipt Printer  
 RS 232, RS 485 cables  
 Protective cover for balances  
 Under-pan weighing  
 RS 232 cables (scale - printer)

## Software

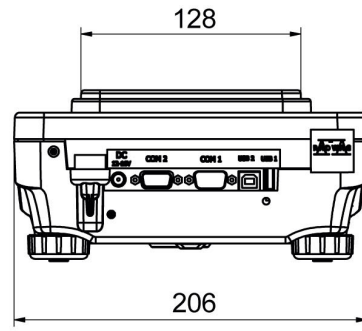
- RAD Key [WX-010-0005]
- Alibi Reader PC Software [WX-010-0114]

- R Panel [WX-010-0187]
- RADWAG Development Studio [WX-010-0104]

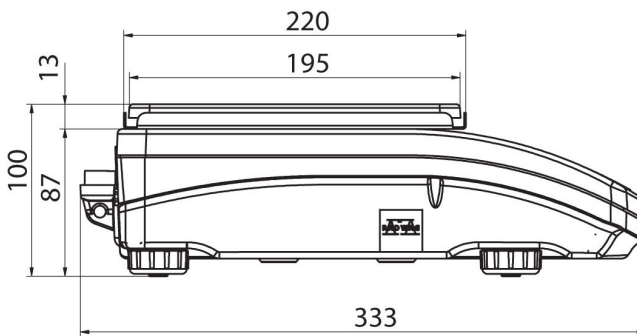
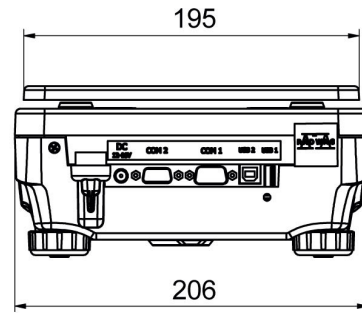
## Device dimensions



PS R, d = 1mg



PS R, d = 10 mg



PS R.M, d = 10 mg

