



More information on the website
radwag.com/us/info,w1,EP8

C32.60.C3.K Multifunctional Scale



The drawings, photos and graphics used are for illustrative purposes only.

Functions



Labelling



Plus/Minus Control



Percent Weighing



Totalizing



Parts counting



Newton unit measurement



Statistics



IR sensors



Under-pan weighing



GLP Procedures



Replaceable unit



ALIBI Memory

Datasheet

Maximum capacity [Max]	60 kg
Minimum load	400 g
Readability [d]	20 g
Tare range	-60 kg
Max readability for non-verified scale	2 g
OIML Class	III

Physical parameters	
Display	5" graphic colour
Weighing pan dimensions	700×500 mm
Packaging dimensions	730×800×270 mm
Net weight	21,7 kg
Gross weight	27 kg
Cable length	2,5 m
Construction	
Protection class	IP 65 construction, IP 43 indicator
Construction	mild steel St3S
Weighing pan material	Stainless steel AISI304
Communication interface	2×RS232, USB-A, USB-B, Ethernet, 4 IN / 4 OUT (digital), Wi-Fi
Power supply	100 – 240 V AC 50/60 Hz
Power consumption max.	10 W
Optional power supply	internal rechargeable battery
Operation time on batteries	operation time up to 5 h
Operating temperature	-10 ÷ +40 °C

* Wi-Fi® is a registered trademark of Wi-Fi® Alliance.



Extra payment for verification



Accessories

Displays

Power Adapters

RS 232 cables (scale - printer)

Cigarette lighter receptacle power supply cables

Barcode scanners

RS 232, RS 485 cables

Label Printers

Displays

Displays

Keypad, external switches

Stands, wall mounting kits and mounting brackets

Additional modules

Receipt Printer

RS 232, RS 485 cables

RS 232 cables (scale - printer)

Software

• E2R Weighing [WX-010-0099]

• RAD Key [WX-010-0005]

• Alibi Reader PC Software [WX-010-0114]

• RADWAG Development Studio [WX-010-0104]

• E2R Weighing Records [WX-010-0038]

• Label Editor R02 [WX-010-0094]

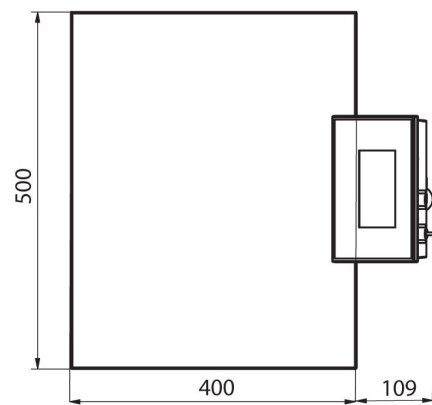
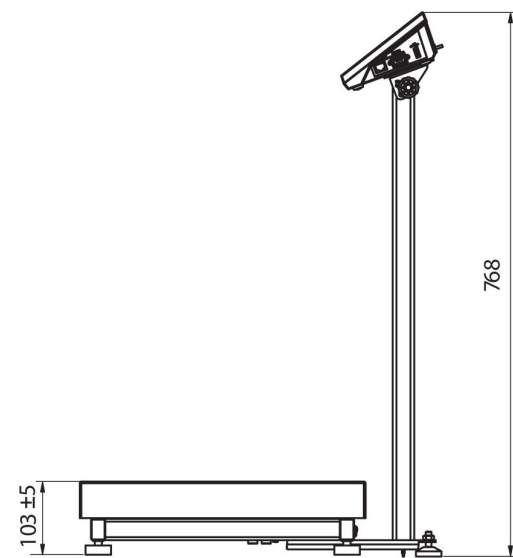
• Scale Editor - EWAG 2.1 [WX-010-0173]

Device dimensions



C32.C2.R

C32.C2.K



C32.C2.M