



More information on the website
radwag.com/en/info,w1,EMU

PA-04/H Automatic Feeder

WX-001-0105



The drawings, photos and graphics used are for illustrative purposes only.

Datasheet

Construction	
Protection class	IP 34
Communication interface	
Communication interface	RS232
Electrical parameters	
Power supply	100 – 240 V AC 50/60 Hz
Power consumption	95 W
Environmental conditions	
Operating temperature	+5 – +40 °C
Physical parameters	
Device dimensions W x D x H	229×229×303 mm
Net weight	17 kg
Gross weight	26 kg
Diameter of fed objects	ø 3 – ø 25 mm

Feeder diameter	ø 180 mm
Throughput	1 – 15 pcs/min
Controlling	external, from balance level

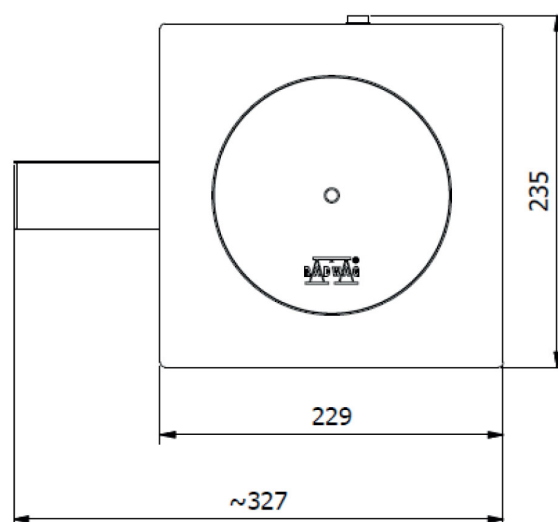
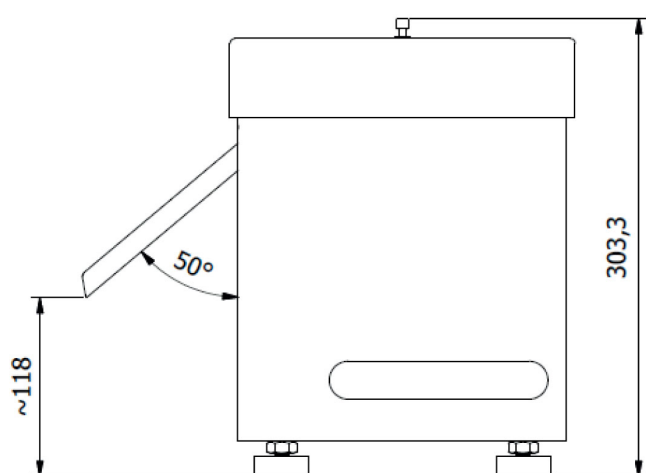


Compatible with (Additional Fee)

XA 5Y.A Analytical Balance
 Antivibration Tables
 XA 5Y.M.A Microbalance

RS 232, RS 485 cables
 XA 5Y Analytical Balance
 XA 5Y.M Microbalance

Device dimensions W x D x H



[PA-04/H Automatic Feeder](#)