



More information on the website  
[radwag.com/en/info,w1,EMU](http://radwag.com/en/info,w1,EMU)

## PA-04/H Automatic Feeder



The drawings, photos and graphics used are for illustrative purposes only.

### Datasheet

Construction	
Protection class	IP 34
Communication interface	
Communication interface	RS232
Electrical parameters	
Power supply	100 – 240 V AC 50/60 Hz
Power consumption	95 W
Environmental conditions	
Operating temperature	+5 ÷ +40 °C
Physical parameters	
Device dimensions	229×229×303 mm
Net weight	17 kg
Gross weight	26 kg
Diameter of fed objects	ø3 ÷ ø25 mm

Feeder diameter	ø180 mm
Throughput	1 ÷ 15 pcs/min
Controlling	external, from balance level

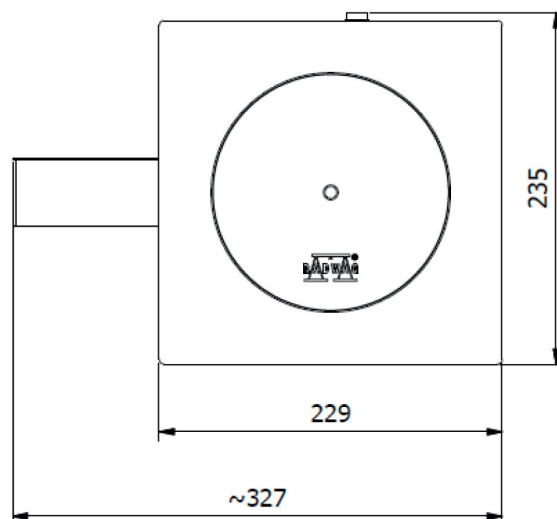
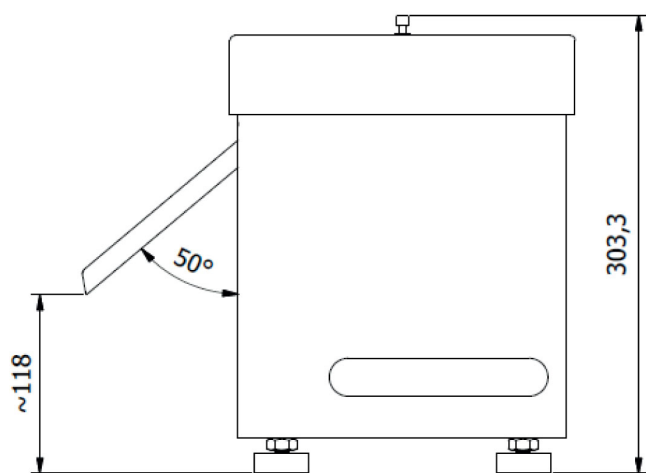


## Compatible with

XA 5Y.A Analytical Balance  
Antivibration Tables  
XA 5Y.M.A Microbalance

RS 232, RS 485 cables  
XA 5Y Analytical Balance  
XA 5Y.M Microbalance

## Device dimensions



[PA-04/H Automatic Feeder](#)