



More information on the website  
radwag.com/it/info,w1,E90

# Postazione di lavoro per calibrazione pipette SDKP DUAL



The drawings, photos and graphics used are for illustrative purposes only.

## Foglio di calcolo

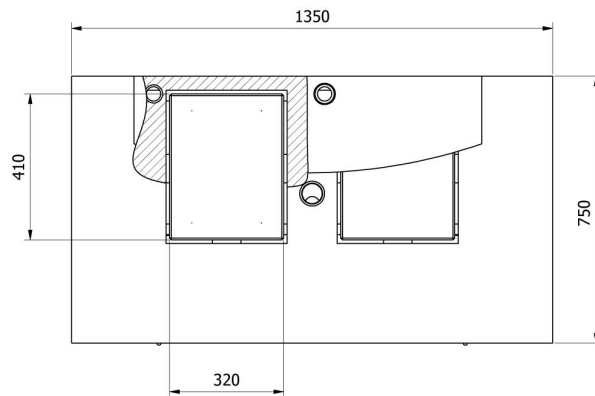
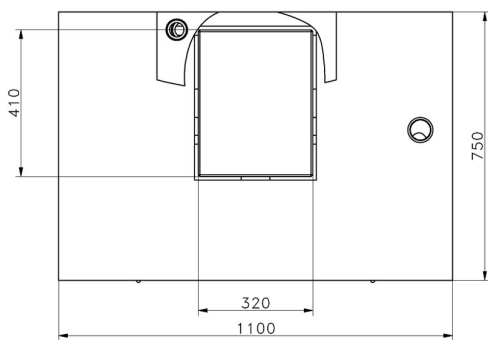
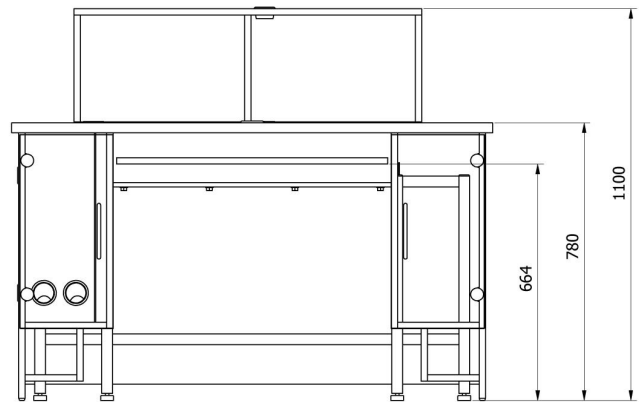
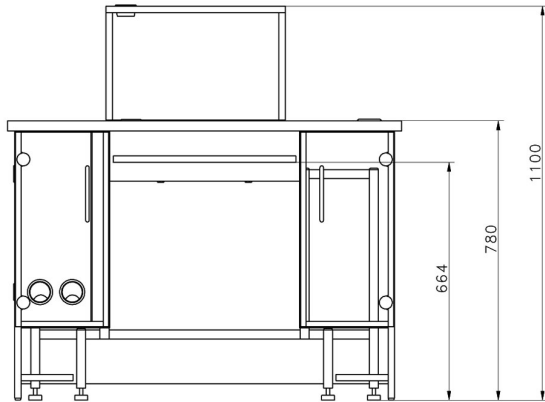
Parametri fisici	
Componenti del kit	table for calibration, anti-vibration table ×2, probe for temperature, humidity and pressure measurement, probe for water temperature measurement, sink for used water, armrests, LCD monitor, PC with pre-installed software PIPETTES RADWAG, power supply, keyboard and mouse, container for used water
Chamber packaging size	820×1410×1000 mm
Peso lordo	250 kg
Lunghezza	1350 mm
Larghezza	750 mm
Altezza	1100 mm
Number of workstations	2

## Compatibile con

Microbilancia per la calibrazione delle pipette MYA 5Y.P  
AS X7 Bilancia analitica  
Bilance analitiche AS X2 PLUS  
Puntali per pipette

Bilance analitiche AS 5Y  
Bilance analitiche AS R2 PLUS  
Bilance analitiche AS R1 PLUS  
THBR 2.0 - modulo misura parametri ambientali

## Device dimensions



—SDKP

—SDKP DUAL