



More information on the website  
[radwag.com/en/info,w1,D41](http://radwag.com/en/info,w1,D41)

# PUE 7.1.62.HRP.M2.2 High Resolution Scale

WP-350-0023



The drawings, photos and graphics used are for illustrative purposes only.

## Datasheet

### Metrological parameters

Maximum capacity [Max]	62 kg
Minimum load	100 g
Preload range	30 kg
Readability [d]	2 g
Verification unit [e]	2 g
Tare range	-62 kg
Repeatability	0.6 g
Linearity	±2 g
Stabilization time	2 s
Adjustment	internal (automatic)
OIML Class	II
Maximum quantity of verification units	31000 e

### Physical parameters

Display	5.7" resistive colour touchscreen
---------	-----------------------------------

Physical parameters	
Weighing pan dimensions	500×400 mm
Device dimensions	360×313×170 mm
Packaging dimensions	610×710×275 mm
Net weight	37 kg
Gross weight	52 kg
Construction	
Protection class	IP 66 / 67 construction, IP 43 terminal
Construction	mild steel St3S
Weighing pan material	Stainless steel AISI304
Communication interface	
Communication interface	2×RS232, 2×USB-A, Ethernet, 4 IN / 4 OUT (digital), Wi-Fi
Electrical parameters	
Power supply	100 – 240 V AC 50/60 Hz
Environmental conditions	
Operating temperature	+10 – +40 °C
Relative humidity	15% – 80%

**Repeatability** is expressed as the standard deviation of ten load placements.

**Relative humidity** under non-condensing conditions.

**Stabilization time** under optimal environmental conditions.

\* Wi-Fi® is a registered trademark of Wi-Fi® Alliance.



Additional fee for verification



## Accessories (Additional Fee)

### Displays

Transponder card readers  
RS 232 cables (scale - Ethernet)  
RS 232 cables (scale - printer)  
Barcode scanners

### Label Printers

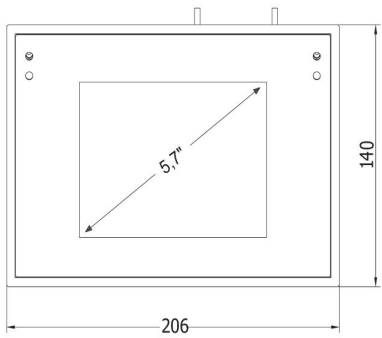
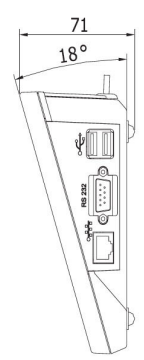
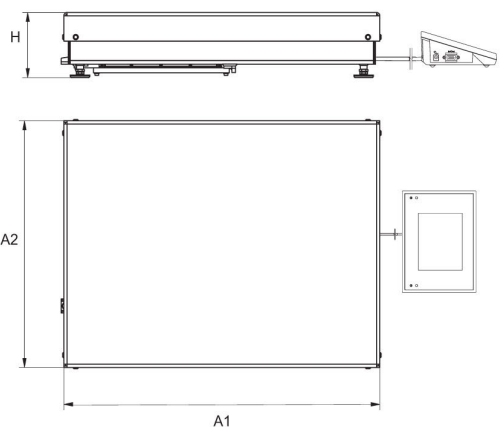
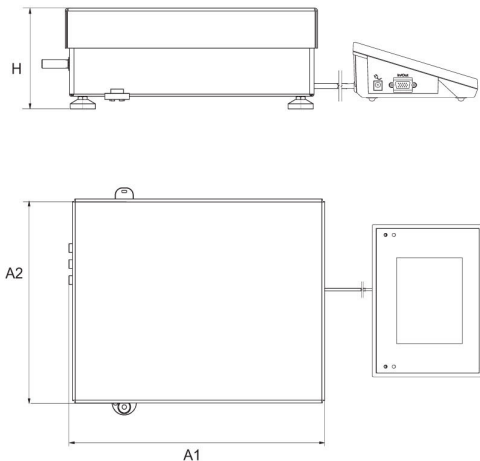
Receipt Printer  
Additional Weighing platforms Module  
RS 232 – USB Converter

## Software (Additional Fee)

- E2R Weighing [WX-010-0099]
- RAD Key [WX-010-0005]
- RADWAG Remote Desktop [WX-010-0107]
- Scale Editor 2.1 [WX-010-0173]

- E2R Weighing Records [WX-010-0038]
- Label Editor R02 [WX-010-0094]
- R-Lab [WX-010-0080]
- RADWAG Development Studio [WX-010-0104]

## Device dimensions



Scale type	A1	A2	H
PUE7.1.16 - 32.HRP	360	280	139±3
PUE7.1.62 -120.HRP	500	500	175±3
PUE7.1.150 - 300.HRP	800	600	175±3
PUE7.1.300.1 -1100.HRP	1000	800	175±3
PUE7.1.2000.HRP	1250	1000	175±3

dimensions in mm