



More information on the website  
[radwag.com/us/info,w1,CY3](http://radwag.com/us/info,w1,CY3)

# WLY 2/D2 Precision Balance



The drawings, photos and graphics used are for illustrative purposes only.

## Functions

-  Dosing
-  Labelling
-  Plus/Minus Control
-  Percent Weighing
-  Totalizing
-  Parts counting
-  Peak hold
-  Formulation
-  Newton unit measurement
-  Statistics
-  Checkweighing
-  IR sensors
-  Animal weighing
-  Differential weighing
-  ALIBI Memory

## Datasheet

|                        |        |
|------------------------|--------|
| Maximum capacity [Max] | 2 kg   |
| Minimum load           | -      |
| Readability [d]        | 0,01 g |
| Verification unit [e]  | -      |
| Tare range             | -2 kg  |
| Repeatability          | 0,03 g |

|                            |                                                                               |
|----------------------------|-------------------------------------------------------------------------------|
| Linearity                  | ±0,03 g                                                                       |
| Stabilization time         | 3 s                                                                           |
| Adjustment                 | external                                                                      |
| OIML Class                 | -                                                                             |
| <b>Physical parameters</b> |                                                                               |
| Leveling system            | manual                                                                        |
| Display                    | 5,7" Resistiv-Farb-Touchscreen                                                |
| Weighing pan dimensions    | 195×195 mm                                                                    |
| Packaging dimensions       | 530×310×150 mm                                                                |
| Net weight                 | 2,7 kg                                                                        |
| Gross weight               | 4,22 kg                                                                       |
| <b>Construction</b>        |                                                                               |
| Protection class           | IP 43                                                                         |
| Communication interface    | 2×RS232, 2×USB-A, Ethernet, 4 IN / 4 OUT (digital), Wi-Fi                     |
| Power supply               | Adapter: 100 – 240V AC 50/60Hz 1A; 15V DC 2,4A<br>Balance: 10 – 28V DC 1A max |
| Operating temperature      | +15 ÷ +30 °C                                                                  |
| Storage temperature        | -25 - +70 °C                                                                  |
| Relative humidity          | 10% ÷ 85% RH no condensation                                                  |

\* Wi-Fi® is a registered trademark of Wi-Fi® Alliance.



## Accessories

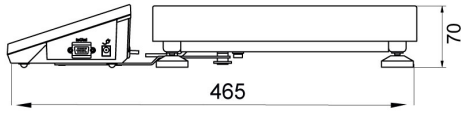
Antivibration tables  
 Transponder card readers  
 Power Adapters  
 RS 232 cables (scale - printer)  
 Cigarette lighter receptacle power supply cables  
 Barcode scanners  
 RS 232, RS 485 cables  
 Label Printers  
 Additional modules  
 Displays

IN/OUT Cables  
 Keypad, external switches  
 Stands, wall mounting kits and mounting brackets  
 Receipt Printer  
 F1 Mass Standard - knob weights without adjustment chamber, set  
 AP2-1 Current Loop Unit  
 RS 232, RS 485 cables  
 Additional Weighing platforms Module  
 RS 232 – USB Converter  
 RS 232 cables (scale - printer)

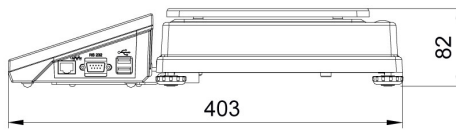
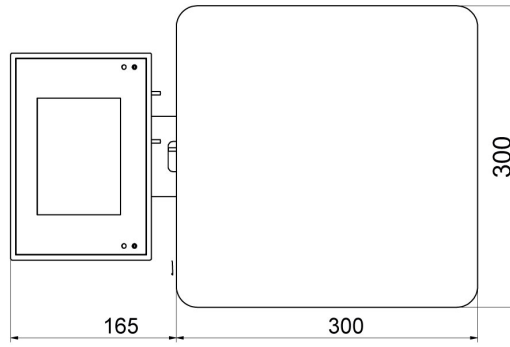
## Software

- E2R Weighing [WX-010-0099]
- E2R Weighing Records [WX-010-0038]
- Audit Trail Reader [WX-010-0186]
- RADWAG Remote Desktop [WX-010-0107]
- RADWAG Development Studio [WX-010-0104]
- E2R Formulations [WX-010-0043]
- RAD Key [WX-010-0005]
- Label Editor R02 [WX-010-0094]
- Scale Editor - EWAG 2.1 [WX-010-0173]

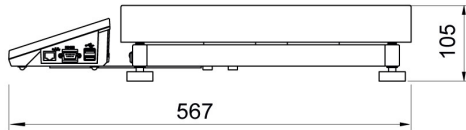
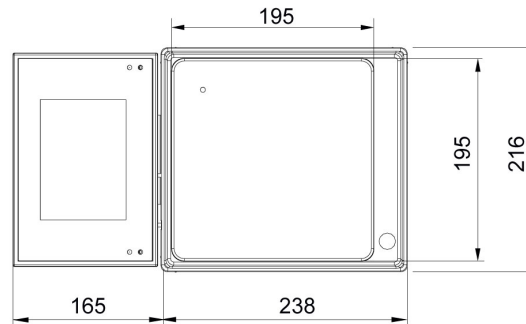
# Device dimensions



F1 version



D2 version



C2 version

