



More information on the website
radwag.com/us/info,w1,CXU

IM01.EX-4/2 Communication Module

WX-016-0172



The drawings, photos and graphics used are for illustrative purposes only.

Datasheet

| Construction | |
|-------------------------|---|
| Protection class | IP 66 / 68 (1,5m) |
| Housing | aluminum |
| ATEX Certification | II (2)G [Ex ib] IIC Gb II (2)D [Ex ib] IIIC Db |
| Communication interface | 2×RS232, USB, 4IN / 4OUT, Ethernet, Profibus DP, analog output 4-20mA/0-10V |
| Power supply | 100 – 240 V AC 50/60 Hz |
| Power consumption max. | 10 W |
| Operating temperature | -10 – +40 °C |
| Storage temperature | -20 – +60 °C |
| Relative humidity | 10% – 85% RH no condensation |
| Physical parameters | |
| Device dimensions | 222×146×81 mm |
| Net weight | 1,9 kg |

Physical parameters

Gross weight

2,5 kg

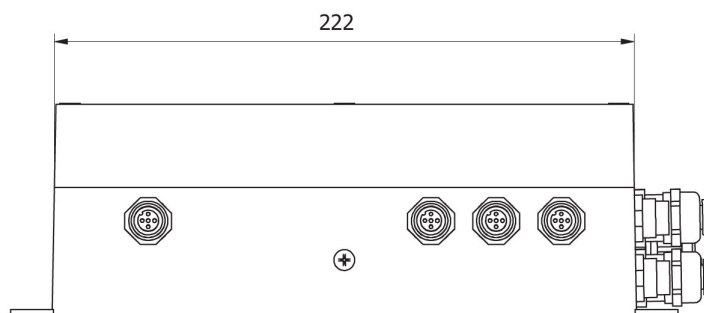
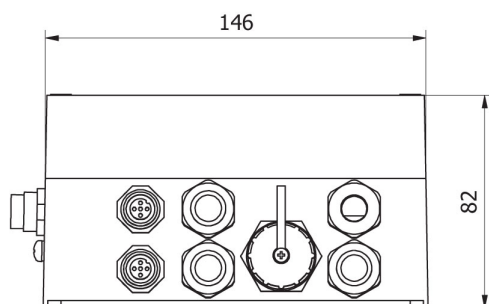


Compatible with (Additional Fee)

HX5.EX-1.4P2 H Stainless steel Beam Scales
HX5.EX-1 HR Stainless Steel 1-Load-Cell Platform Scales
RS 232 cables (scale - printer)
HX5.EX-1.4P2 C Beam Scales
HX5.EX-1.4N Stainless Steel Ramp Scales
HX5.EX-1.4 C 4-Load-Cell Platform Scales
HX5.EX-1.4P H Stainless steel pallet scales
HX5.EX-1.4 H/Z Stainless steel platform scales, pit version
HX5.EX-1 C 1 Load Cell Platform Scales

HX5.EX-1 H Waterproof Platform Scales
PUE HX5.EX Weighing Terminal
HX5.EX-1.4 H Stainless Steel 4-Load-Cell Platform Scales
RS 232, RS 485 cables
IN/OUT Cables
HX5.EX-1.4P C Pallet scales
USB adapter
USB cable (scale - printer)
RS 232 – USB Converter

Device dimensions



IM01.EX