



More information on the website  
[radwag.com/en/info,w1,CG6](http://radwag.com/en/info,w1,CG6)

# PUE 7.1.16.HRP High Resolution Scale



The drawings, photos and graphics used are for illustrative purposes only.

## Datasheet

Metrological parameters	
Maximum capacity [Max]	16 kg
Minimum load	5 g
Preload range	4 kg
Readability [d]	0.1 g
Tare range	-16 kg
Repeatability	0.1 g
Linearity	±0.1 g
Stabilization time	2 s
Adjustment	internal (automatic)
Physical parameters	
Display	5.7" resistive colour touchscreen
Weighing pan dimensions	360×280 mm
Device dimensions	360×313×170 mm
Packaging dimensions	560×473×360 mm
Net weight	24.7 kg

Physical parameters	
Gross weight	28.7 kg
Construction	
Protection class	IP 66 / 67 construction, IP 43 terminal
Construction	aluminum
Weighing pan material	Stainless steel AISI304
Communication interface	
Communication interface	2×RS232, 2×USB-A, Ethernet, 4 IN / 4 OUT (digital), Wi-Fi
Electrical parameters	
Power supply	100 – 240 V AC 50/60 Hz
Environmental conditions	
Operating temperature	+10 – +40 °C
Relative humidity	15% – 80%

**Repeatability** is expressed as the standard deviation of ten load placements.

**Relative humidity** under non-condensing conditions.

**Stabilization time** under optimal environmental conditions.

\* Wi-Fi® is a registered trademark of Wi-Fi® Alliance.



## Accessories

Displays

Transponder card readers

RS 232 cables (scale - Ethernet)

RS 232 cables (scale - printer)

Antivibration Tables

Barcode scanners

Label Printers

Receipt Printer

Additional Weighing platforms Module

RS 232 – USB Converter

## Software

• E2R Weighing [WX-010-0099]

• RAD Key [WX-010-0005]

• RADWAG Remote Desktop [WX-010-0107]

• Scale Editor 2.1 [WX-010-0173]

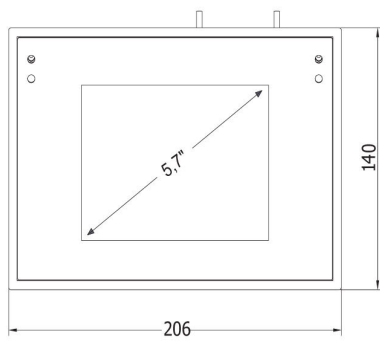
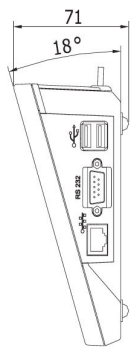
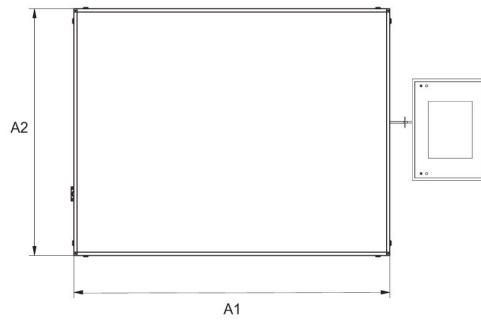
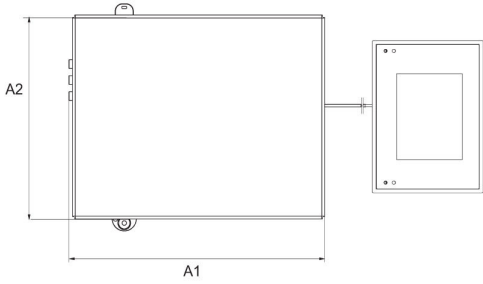
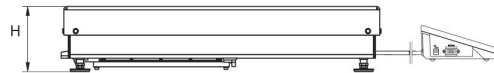
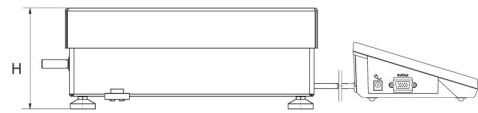
• E2R Weighing Records [WX-010-0038]

• Label Editor R02 [WX-010-0094]

• R-Lab [WX-010-0080]

• RADWAG Development Studio [WX-010-0104]

## Device dimensions



Scale type	A1	A2	H
PUE7.1.16 - 32.HRP	360	280	139±3
PUE7.1.62 - 120.HRP	500	500	175±3
PUE7.1.150 - 300.HRP	800	600	175±3
PUE7.1.300.1 - 1100.HRP	1000	800	175±3
PUE7.1.2000.HRP	1250	1000	175±3

dimensions in mm